



CY.	APPLICATION	NOTES	YEAR	STI #
-----	-------------	-------	------	-------

ACURA

CL

L4	2.2 LTR.		1997	473
L4	2.3 LTR.		98-99	473
V6	3.0 LTR. SOHC V-TEC		97-99	665

EL (Canada)

L4	1.6 LTR.		97-01	473
----	----------	--	-------	-----

INTEGRA

L4	1.6 LTR. DOHC 16-Valve		88-89	383
L4	1.6 LTR. DOHC 16-Valve		86-87	361
L4	1.8 LTR. DOHC 16-Valve		90-01	384NC

INTEGRA GS-R

L4	1.7 LTR. DOHC V-TEC		92-93	370
L4	1.8 LTR. DOHC V-TEC		94-01	370

LEGEND

V6	2.5, 2.7 LTR. DOHC		86-90	362
----	--------------------	--	-------	-----

MDX

V6	3.5 LTR. SOHC	Direct Ignition Coil Unit (6 Required)	01-06	5007
----	---------------	--	-------	------

TL

L5	2.5 LTR.		95-98	426
----	----------	--	-------	-----

VIGOR

L5	2.5 LTR. SOHC 20-Valve (G25A)		92-94	426
----	-------------------------------	--	-------	-----

ALFA/ROMEO

164

V6	3.0 LTR.	Made with OEM Type Ends	91-93	472
----	----------	-------------------------	-------	-----

ALL (up to 1981)

L4	All 4-Cylinders Models		56-81	164
----	------------------------	--	-------	-----

GTV-6

V6	2.5 LTR.	Made with OEM Type Ends	81-86	272
----	----------	-------------------------	-------	-----

MILANO

V6	2.5 LTR.	Made with OEM Type Ends	87-89	272
V6	3.0 LTR. w/ 44" Coil Lead	Made with OEM Type Ends	88-89	386

SPIDER

L4	2.0 LTR.	Made with OEM Type Ends	82-89	417
L4	2.0 LTR.		72-81	164

AMC

CONCORD

L4	2.5 LTR.		80-82	498
----	----------	--	-------	-----

EAGLE

L4	2.5 LTR. 2bbl. GM		81-83	498
----	-------------------	--	-------	-----

SPIRIT

L4	2.5 LTR.		80-82	498
----	----------	--	-------	-----



CY.	APPLICATION	NOTES	YEAR	STI #
-----	-------------	-------	------	-------

ASUNA (Canada)

GT, SE				
L4	1.6 LTR.		92-93	429

SUNFIRE				
L4	1.8 LTR.		92-93	462

SUNRUNNER				
L4	1.6 LTR.		92-95	406

AUDI

FOR CROSS REFERENCE FROM O.E. AUDI # TO STI , SEE PAGE # 107

100, 100 QUATTRO				
L5	2.3 LTR. (NF, NG)	With OE Type Loom	89-91	090 w/Loom
L5	2.3 LTR. (NF, NG)		89-91	090
V6	2.8 LTR. (AAH)		92-94	431**

100GL, 100LS				
L4	1.8, 1.9 LTR.	With Polyester Spark Plug Ends	70-77	114

200, 200 QUATTRO				
L5	2.2 LTR. Turbo 20-Valve (3B)		1991	683
L5	2.2 LTR. Turbo (MC)	With OE Type Loom	89-91	090 w/Loom
L5	2.2 LTR. Turbo (MC)		89-91	090

4000, 4000 QUATTRO				
L4	1.6, 1.7, 1.8 LTR.	With OEM Type Push-On Dist. Ends	80-84	400
L4	1.8 LTR. (MG)	With OEM Type Screw-On Dist. Ends	85-87	324
L5	2.2 LTR. (JT)	With OEM Type Screw-On Dist. Ends	85-87	500S
L5	2.2 LTR.	With OEM Type Push-On Dist. Ends	80-84	500
L5	2.2 LTR.	With OEM Type Push-On Dist. Ends	80-84	500 w/Loom^

5000, 5000 QUATTRO				
L5	2.2 LTR. incl. Turbo	With OEM Type Push-On Dist. Ends	78-84	500
L5	2.2 LTR. incl. Turbo	With OEM Type Push-On Dist. Ends	78-84	500 w/Loom^
L5	2.2, 2.3 LTR. incl. Turbo	With OE Type Loom	85-88	090 w/Loom
L5	2.2, 2.3 LTR. incl. Turbo	With OEM Type Screw-On Dist. Ends	85-88	500S

80, 80 QUATTRO				
L4	2.0 LTR.		88-90	324
L5	2.3 LTR.		88-92	090
L5	2.3 LTR.	With OE Type Loom	88-92	090 w/Loom

90, 90 QUATTRO				
L4	2.0 LTR.		88-89	324
L5	2.3 LTR. 20-Valve (7A)		90-91	501
L5	2.3 LTR.		88-91	090
V6	2.8 LTR. (AAH)		93-95	431**

A3				
L4	2.0 LTR. DOHC (BPY)	Direct Ignition Coil Unit (4 Required)	06-07	20127
V6	3.2 LTR. (BUB)	Direct Ignition Coil Unit (6 Required)	06-07	20122

** Order Part # 32Z for a Spark Plug Connector Removal Tool (page # 89) specifically designed for these applications.

^ Optional set assembled in an OE type Loom.

CY.	APPLICATION	NOTES	YEAR	STI #
AUDI - con't				
A4				
L4	1.8 LTR. (AMB, AWM)	Direct Ignition Coil Unit (4 Required)	01-02	11961T
L4	1.8 LTR. (ATW)	Direct Ignition Coil Unit (4 Required)	2000	5014^^
L4	1.8 LTR. DOHC (AEB)	Direct Ignition Coil Unit (4 Required)	96-00	11869
L4	2.0 LTR. DOHC (BWT, BPG)	Direct Ignition Coil Unit (4 Required)	05-07	20127
V6	2.8 LTR. Right Bank (AHA, ATQ)	Cyl 1, 2 & 3	98 on	233R200
V6	2.8 LTR. Left Bank (AHA, ATQ)	Cyl 4, 5 & 6	98 on	233L200
V6	2.8 LTR. (AHA, ATQ)	Ignition Coil Pack (078905104)	98 on	11866T*
V6	2.8 LTR. (AFC)		96-97	431**
V6	3.0 LTR. (AVK, BGN)	Direct Ignition Coil Unit (6 Required)	02 on	11963T
V6	3.2 LTR. (BKH)	Direct Ignition Coil Unit (6 Required)	05-07	20128
A6				
V6	2.7 LTR. (APB) Turbo	Direct Ignition Coil Unit (6 Required)	99-04	11869
V6	2.8 LTR. Right Bank (AHA, ATQ)	Cyl 1, 2 & 3	98 on	233R200
V6	2.8 LTR. Left Bank (AHA, ATQ)	Cyl 4, 5 & 6	98 on	233L200
V6	2.8 LTR. (AHA, ATQ)	Ignition Coil Pack (078905104)	98 on	11866T*
V6	2.8 LTR. (AFC)		95-97	431**
V6	3.0 LTR. (AVK)	Direct Ignition Coil Unit (6 Required)	02-04	11963T
V6	3.2 LTR. (BKH)	Direct Ignition Coil Unit (6 Required)	05-07	20128
V8	4.2 LTR. (BVJ)	Direct Ignition Coil Unit (8 Required)	2007	20128
V8	4.2 LTR. (BAS, BNK)	Direct Ignition Coil Unit (8 Required)	04-06	20126
V8	4.2 LTR. (ART, AWN)	Direct Ignition Coil Unit (8 Required)	00-04	5014^^
A8, A8 QUATTRO				
V8	4.2 LTR. (AKB, AUX)	Direct Ignition Coil Unit (8 Required)	00-02	5014^^
V8	3.7 LTR. (AEW)	Direct Ignition Coil Unit (8 Required)	97-99	5017
V8	4.2 LTR. (ABZ)	Direct Ignition Coil Unit (8 Required)	97-99	5017
V8	4.2 LTR. (BFM)	Direct Ignition Coil Unit (8 Required)	03-06	20126
V12	6.0 LTR. (BSB)	Direct Ignition Coil Unit (12 Required)	05-07	20112
CABRIOLET				
V6	2.8 LTR. (AAH, AFC)		94-98	431**
COUPE, COUPE QUATTRO				
L5	2.2 LTR.	With OEM Type Push-On Dist. Ends	81-84	500
L5	2.2 LTR.	With OEM Type Push-On Dist. Ends	81-84	500 w/Loom^
L5	2.2, 2.3 LTR.	With OEM Type Screw-On Dist. Ends	85-87	500S
L5	2.3 LTR. 20-Valve (7A)		89-91	501
FOX				
L4	1.5, 1.6 LTR.		73-79	400

* Ignition Module used in conjunction with #233L200 & #233R200.

** Order Part # 32Z for a Spark Plug Connector Removal Tool (page # 89) specifically designed for these applications.

^ Optional set assembled in an OE type Loom.

^^ Square Top with Two Mounting Holes



CY.	APPLICATION	NOTES	YEAR	STI #
-----	-------------	-------	------	-------

AUDI - con't

QUATTRO				
L5	2.2 LTR. Turbo	With OEM Type Push-On Dist. Ends	83-85	500
L5	2.2 LTR. Turbo	With OEM Type Push-On Dist. Ends	83-85	500 w/Loom^
Q7				
V6	3.6 LTR. (BHK)	Direct Ignition Coil Unit (6 Required)	2007	20122
V8	4.2 LTR. (BAR)	Direct Ignition Coil Unit (8 Required)	2007	20128
RS4				
V8	4.2 LTR. DOHC (BNS)	Direct Ignition Coil Unit (8 Required)	2007	20127
RS6				
V8	4.2 LTR. DOHC	Direct Ignition Coil Unit (8 Required)	03-04	5014^^
S4				
L5	2.2 LTR. (AAN) incl. Turbo	Direct Ignition Coil Unit (5 Required)	92-94	ZS-009
V6	2.7 LTR. (APB) Turbo	Direct Ignition Coil Unit (6 Required)	00-02	11869
V8	4.2 LTR. (BHF)	Direct Ignition Coil Unit (8 Required)	04 on	20126
S6				
L5	2.2 LTR. (AAN) Turbo	Direct Ignition Coil Unit (5 Required)	95-96	ZS-009
V8	4.2 LTR. (BBD)	Direct Ignition Coil Unit (8 Required)	02-03	5014^^
V10	5.2 LTR. (BXA)	Direct Ignition Coil Unit (10 Required)	2007	20128
S8				
V8	4.2 LTR. (AYS)	Direct Ignition Coil Unit (8 Required)	01-03	5014^^
V10	5.2 LTR. (BSM)	Direct Ignition Coil Unit (10 Required)	2007	20128
SUPER 90				
L4	1.8 LTR.		71-72	114
TT COUPE				
L4	1.8 LTR. (AWP, BEA)	Direct Ignition Coil Unit (4 Required)	01-05	11961T
L4	1.8 LTR. (AMU, ATC)	Direct Ignition Coil Unit (4 Required)	00-02	5014^^
V6	3.2 LTR. (BHE)	Direct Ignition Coil Unit (6 Required)	04-06	20122
V8 QUATTRO				
V8	3.6, 4.2 LTR. (ABH, PT)		90-94	433

BERTONE

X 1/9				
L4	1.5 LTR.		83-88	220

^ Optional set assembled in an OE type Loom.

^^ Square Top with Two Mounting Holes

CY.	APPLICATION	NOTES	YEAR	STI #
BMW				
FOR CROSS REFERENCE FROM O.E. BMW # TO STI , SEE PAGE # 94				
1600, 1800, 2000, 2002				
L4	1.6, 1.8, 2.0 LTR.		67-74	109
2002				
L4	2.0 LTR.	Long Coil Wire	75-76	109L
2500, 2800, 3.0, BAVARIA				
L6	2.5, 2.8, 3.0 LTR.		69-76	110 w/Loom
316i, 318i E30 (European)				
L4	1.6, 1.8 LTR. (M40 B18)	Equipped with Sensor Cable	88 on	467 w/Loom
318i E30				
L4	1.8 LTR. (M10)	With OEM Type Screw-On Dist. Ends	84-85	318
318i/iC/iS E30				
L4	1.8 LTR. 16-Valve (M42)	Coil Only	90-91	11855T**
L4	1.8 LTR. 16-Valve (M42)		90-91	432 w/Loom
L4	1.8 LTR. 16-Valve (M42)	With Marten Protection	90-91	432S w/Loom*
318i/iC/iS/Ti E36				
L4	1.8 LTR. (M42)		93.09-95	491 w/loom
L4	1.8 LTR. (M42)	With Marten Protection	93.09-95	491S w/Loom*
L4	1.8 LTR. (M42)	Coil Only	92-93.08	11855T**
L4	1.8 LTR. (M42)		92-93.08	432 w/Loom
L4	1.8 LTR. (M42)	With Marten Protection	92-93.08	432S w/Loom*
L4	1.9 LTR. (M44)		96 on	491 w/loom
L4	1.9 LTR. (M44)	With Marten Protection	96 on	491S w/Loom*
320/6, 323i E21 (European)				
L6	2.0, 2.3 LTR. (M20)		81-82	322 w/Loom
320i E21				
L4	1.8 LTR. (M10)	With OEM Type Screw-On Dist. Ends	80-83	321
L4	2.0 LTR. (M10)	With OEM Type Push-On Dist. Ends	77-79	320
320i, 323i E30 (European)				
L6	2.0, 2.3 LTR. (M20)		83-89	322 w/Loom
323i, 323iC, 323iS				
L6	2.5 LTR. (M52)	Direct Ignition Coil Unit (6 Required)	98 on	11860T
325e/es E30				
L6	2.7 LTR. (M20)		84-87	325 w/Loom
325i/iC/iS/ix E30				
L6	2.5 LTR. (M20)	Equipped with Sensor Cable	87-93	360 w/Loom
325i/iC/iS E36				
L6	2.5 LTR. (M50)	Direct Ignition Coil Unit (6 Required)	92-95	11856T

* Marten "Rodent" Protection - These sets come assembled with special interlocking beads that protect the wire from gnawing rodents and abrasion damage.

** Coil Used in Conjunction with #432 w/Loom & #432S w/Loom.



CY.	APPLICATION	NOTES	YEAR	STI #
-----	-------------	-------	------	-------

BMW - con't

325Ci/i/xi E46				
L6	3.0 LTR. (M52)	Direct Ignition Coil Unit (6 Required)	02.10 on	20110
L6	3.0 LTR. (M52, M54)	Direct Ignition Coil Unit (6 Required)	00-02.09	11860T
328i E36				
L6	2.8 LTR. (M52)	Direct Ignition Coil Unit (6 Required)	95-98	11860T
328i E46				
L6	2.8 LTR. (M52)	Direct Ignition Coil Unit (6 Required)	98 on	11860T
330Ci/i/xi E46				
L6	3.0 LTR. (M54)	Direct Ignition Coil Unit (6 Required)	02.10 on	20110
L6	3.0 LTR. (M54)	Direct Ignition Coil Unit (6 Required)	00-02.09	11860T
525i E34				
L6	2.5 LTR. (M20)	Equipped with Sensor Cable	89-90	360 w/Loom
L6	2.5 LTR. (M50)	Direct Ignition Coil Unit (6 Required)	91-95	11856T
525i E39				
L6	2.5 LTR. (M52)	Direct Ignition Coil Unit (6 Required)	02.10-03.07	20110
L6	2.5 LTR. (M52)	Direct Ignition Coil Unit (6 Required)	00-02.09	11860T
528e E28				
L6	2.7 LTR. (M20)	Equipped with Sensor Cable	87.03-88	360 w/Loom
L6	2.7 LTR. (M20)		84-87.02	325 w/Loom
L6	2.7 LTR. (M20) w/ Original Distributor Cap	Original Cap = # 22-8062	82-83	528 w/Loom
L6	2.7 LTR. (M20) w/ Upgraded Distributor Cap	Upgraded Cap = # 22-8069R	82-83	325 w/Loom
528i E12				
L6	2.8 LTR. (M30)		79-81	530 w/Loom
528i E39				
L6	2.8 LTR. (M52)	Direct Ignition Coil Unit (6 Required)	97 on	11860T
530i E12				
L6	3.0 LTR. (M30)		75-78	530 w/Loom
530i E34				
V8	3.0 LTR. (M60)	Direct Ignition Coil Unit (8 Required)	94-95	11856T
530i E39				
L6	3.0 LTR. (M54)	Direct Ignition Coil Unit (6 Required)	02.10-03.07	20110
L6	3.0 LTR. (M54)	Direct Ignition Coil Unit (6 Required)	00-02.09	11860T
533i E28				
L6	3.2 LTR. (M30) w/ Original Distributor Cap	Original Cap = # 22-8062	83-84	730 w/Loom
L6	3.2 LTR. (M30) w/ Upgraded Distributor Cap	Upgraded Cap = # 22-8069R	83-84	535 w/Loom
535i, 535iS E28				
L6	3.5 LTR. (M30)		85-88	535 w/Loom
535i, 535iS E34				
L6	3.5 LTR. (M30)	Equipped with Sensor Cable	89-93	391 w/Loom
540i E34				
V8	4.0 LTR. (M60)	Direct Ignition Coil Unit (8 Required)	94-95	11856T
540i E39				
V8	4.4 LTR. (M62)	Direct Ignition Coil Unit (8 Required)	97 on	11860T
545i E60				
V8	4.4 LTR. (N62)	Direct Ignition Coil Unit (8 Required)	03 on	20110



CY.	APPLICATION	NOTES	YEAR	STI #
BMW - con't				
630CSi E24				
L6	3.0 LTR. (M30)		1977	530 w/Loom
633CSi E24				
L6	3.2 LTR. (M30) w/ Upgraded Distributor Cap	Upgraded Cap = # 22-8069R	82-84	535 w/Loom
L6	3.2 LTR. (M30) w/ Original Distributor Cap	Original Cap = # 22-8062	82-84	730 w/Loom
L6	3.2 LTR. (M30)		78-81	530 w/Loom
635CSi E24				
L6	3.4, 3.5 LTR. (M30)	Equipped with Sensor Cable	87-89	391 w/Loom
L6	3.5 LTR. (M30)		85-86	535 w/Loom
645Ci E63, Cic E64				
V8	4.4 LTR. (N62)	Direct Ignition Coil Unit (8 Required)	04-05	20110
733i E23				
L6	3.2 LTR. (M30) w/ Original Distributor Cap	Original Cap = # 22-8062	82-84	730 w/Loom
L6	3.2 LTR. (M30) w/ Upgraded Distributor Cap	Upgraded Cap = # 22-8069R	82-84	535 w/Loom
L6	3.2 LTR. (M30)		78-81	530 w/Loom
735i E23				
L6	3.5 LTR. (M30)		85-86	535 w/Loom
735i, 735iL E32				
L6	3.4, 3.5 LTR. (M30)	Equipped with Sensor Cable	88-92	391 w/Loom
740i, 740iL				
V8	4.0 LTR. (M60)	Direct Ignition Coil Unit (8 Required)	93-95	11856T
V8	4.4 LTR. (M62)	Direct Ignition Coil Unit (8 Required)	96 on	11860T
745i E65, Li E66				
V8	4.4 LTR. (N62)	Direct Ignition Coil Unit (8 Required)	02 on	20110
750iL E32				
V12	5.0 LTR. (M70) Right Bank (1 thru 6)	w/ Sensor Cable & Marten Protection	88-94	354 w/Loom*
V12	5.0 LTR. (M70) Left Bank (7 thru 12)	w/ Sensor Cable & Marten Protection	88-94	353 w/Loom*
750iL E38				
V12	5.0, 5.4 LTR. (M73)	Coil Only	95 on	11859T^
V12	5.0, 5.4 LTR. (M73) Right Bank (1 thru 6)	With Marten Protection	95 on	238R w/Loom*
V12	5.0, 5.4 LTR. (M73) Left Bank (7 thru 12)	With Marten Protection	95 on	238L w/Loom*
750i E65, Li E66				
V8	4.8 LTR. DOHC	Direct Ignition Coil Unit (8 Required)	05 on	20110
760i E65, Li E66				
V12	6.0 LTR. (N73)	Direct Ignition Coil Unit (12 Required)	03 on	20110
840Ci E31				
V8	4.0 LTR. (M60)	Direct Ignition Coil Unit (8 Required)	94-95	11856T
V8	4.4 LTR. (M62)	Direct Ignition Coil Unit (8 Required)	96-97	11860T

* Marten "Rodent" Protection - These sets come assembled with special interlocking beads that protect the wire from gnawing rodents and abrasion damage.

^ Coil Used in Conjunction with #238L w/Loom & #238R w/Loom (Use 2 per vehicle).



CY.	APPLICATION	NOTES	YEAR	STI #
-----	-------------	-------	------	-------

BMW - con't

850Ci E31				
V12	5.4 LTR. (M73)	Coil Only	95 on	11859T**
V12	5.4 LTR. (M73) Right Bank (1 thru 6)	With Marten Protection	95-97	246R w/Loom*
V12	5.4 LTR. (M73) Left Bank (7 thru 12)	With Marten Protection	95-97	246L w/Loom*
850Ci/i E31				
V12	5.0 LTR. (M70) Right Bank (1 thru 6)	Equipped with Sensor Cable	91-94	416 w/Loom*
V12	5.0 LTR. (M70) Left Bank (7 thru 12)	Equipped with Sensor Cable	91-94	415 w/Loom*
850CSi E31				
V12	5.6 LTR. (M70) Right Bank (1 thru 6)	Equipped with Sensor Cable	94-95	416 w/Loom*
V12	5.6 LTR. (M70) Left Bank (7 thru 12)	Equipped with Sensor Cable	94-95	415 w/Loom*
L6 E24				
L6	3.5 LTR. (M30)	Equipped with Sensor Cable	1987	391 w/Loom
L7 E23				
L6	3.5 LTR. (M30)		1986	535 w/Loom
L7 E32				
L6	3.5 LTR. (M30)	Equipped with Sensor Cable	1987	391 w/Loom
M COUPE E36				
L6	3.2 LTR. (S54)	Direct Ignition Coil Unit (6 Required)	00-03	20110
L6	3.2 LTR. (S52)	Direct Ignition Coil Unit (6 Required)	97-00	11864T
M ROADSTER E36				
L6	3.2 LTR. (S54)	Direct Ignition Coil Unit (6 Required)	00-03	20110
L6	3.2 LTR. (S52)	Direct Ignition Coil Unit (6 Required)	98-00	11864T
M3 E30				
L4	2.3 LTR. (S14)		88-91	359 w/Loom
L4	2.3 LTR. (S14)	EVO Red wire & Red O.E. Plug Boots	88-91	359R w/Loom
M3 E36				
L6	3.0 LTR. (S50)	Direct Ignition Coil Unit (6 Required)	1995	11857T
L6	3.2 LTR. (S52)	Direct Ignition Coil Unit (6 Required)	96 on	11864T
M3 E46				
L6	3.2 LTR. (S54)	Direct Ignition Coil Unit (6 Required)	00 on	20110
M5 E28				
L6	3.5 LTR. (S38)		1988	358 w/Loom
L6	3.5 LTR. (S38)	Red Wire & Red O.E. Plug Boots	1988	358R w/Loom
M5 E34				
L6	3.5, 3.8 LTR. (European)	Direct Ignition Coil Unit (6 Required)	94 on	11863T

* Marten "Rodent" Protection - These sets come assembled with special interlocking beads that protect the wire from gnawing rodents and abrasion damage.

** Coil Used in Conjunction with #246L w/Loom & #246R w/Loom (Use 2 per vehicle).

CY.	APPLICATION	NOTES	YEAR	STI #
-----	-------------	-------	------	-------

BMW - con't

M6 E24

L6	3.5 LTR. (S38)		87-88	358 w/Loom
L6	3.5 LTR. (S38)	Red Wire & Red O.E. Plug Boots	87-88	358R w/Loom

MINI COOPER

L4	1.6 LTR. 16-Valve	Made with Blue Silicone Wire	02 on	702
L4	1.6 LTR. 16-Valve	Made with Red Silicone Wire	02 on	702R

MINI COOPER S

L4	1.6 LTR. Supercharged Eng.	Made with Blue Silicone Wire	02 on	702
L4	1.6 LTR. Supercharged Eng.	Made with Red Silicone Wire	02 on	702R

X3 E83

L6	2.5, 3.0 LTR (M54)	Direct Ignition Coil Unit (6 Required)	04-05	20110
----	--------------------	--	-------	--------------

X5

L6	3.0 LTR.	Direct Ignition Coil Unit (6 Required)	02.11 on	20110
L6	3.0 LTR.	Direct Ignition Coil Unit (6 Required)	01-02.10	11860T
V8	4.4 LTR. (M62)	Direct Ignition Coil Unit (8 Required)	03.10 on	20110
V8	4.4 LTR. (M62)	Direct Ignition Coil Unit (8 Required)	00-03.09	11860T

X5 4.8is E53

V8	4.8 LTR. (N62)	Direct Ignition Coil Unit (8 Required)	04-05	20110
----	----------------	--	-------	--------------

Z3 Roadster

L4	1.9 LTR. (M44)		96-98	491 w/Loom
L4	1.9 LTR. (M44)	With Marten Protection	96-98	491S w/Loom*
L6	2.5 LTR. (M52)	Direct Ignition Coil Unit (6 Required)	99-01	11860T
L6	2.8 LTR. (M52)	Direct Ignition Coil Unit (6 Required)	97-00	11860T
L6	3.0 LTR. (M54)	Direct Ignition Coil Unit (6 Required)	2001	11860T
L6	3.2 LTR. (S52)	Direct Ignition Coil Unit (6 Required)	98-00	11864T

Z4 Roadster

L6	2.5 LTR. (M54)	Direct Ignition Coil Unit (6 Required)	02 on	20110
L6	3.0 LTR. (M54)	Direct Ignition Coil Unit (6 Required)	02 on	20110

Z8 Roadster

V8	5.0 LTR.	Direct Ignition Coil Unit (8 Required)	2001	11860T
----	----------	--	------	---------------

BMW DIRECT IGNITION UNITS

Can be purchased separately

See page # 94

* Marten "Rodent" Protection - These sets come assembled with special interlocking beads that protect the wire from gnawing rodents and abrasion damage.



CY.	APPLICATION	NOTES	YEAR	STI #
-----	-------------	-------	------	-------

BUICK**CENTURY**

L4	2.2 LTR. (134)		93-96	779
L4	2.5 LTR.		85-86	497
L4	2.5 LTR.		82-84	498
V6	2.8 LTR. (173) (W)		87-89	709
V6	2.8 LTR.		85-86	412
V6	3.1 LTR. (189)		01-05	746
V6	3.1 LTR. (189)		2000	777
V6	3.1 LTR. (189) (M)		97-99	710
V6	3.1 LTR. (189)		94-95	771
V6	3.3 LTR. (204) (N)		89-91	707
V6	3.8 LTR. (231)		2005	748
V6	3.8 LTR. (231) (3)		87-88	707

ELECTRA

V6	3.8 LTR. (231)		1990	780
----	----------------	--	------	-----

LaCROSSE, ALLURE

V6	3.8 LTR. (231)		05-06	748
----	----------------	--	-------	-----

Le SABRE, CENTURION, INVICTA, WILDCAT

V6	3.8 LTR. (231)		2005	748
V6	3.8 LTR. (231)		99-04	750
V6	3.8 LTR. (231)		96-98	752
V6	3.8 LTR. (231) (L)		93-95	707
V6	3.8 LTR. (231) (L)	With Delco Coil Pack	1992	707
V6	3.8 LTR. (231)	with Magnavox Coil Pack	1992	780
V6	3.8 LTR. (231)		90-91	780

LUCERNE

V6	3.8 LTR. (231)		2006	750
----	----------------	--	------	-----

PARK AVENUE

V6	3.8 LTR. (231)		2005	748
V6	3.8 LTR. (231) (1)	Supercharged Eng.	00-04	748
V6	3.8 LTR. (231) (K)	Excluding Supercharged Eng.	99-04	750
V6	3.8 LTR. (231) (1)	Supercharged Eng.	96-99	768
V6	3.8 LTR. (231) (K)	Excluding Supercharged Eng.	95-98	752
V6	3.8 LTR. (231) (L, 1) incl. Supercharged	Excluding K Codes	93-95	707
V6	3.8 LTR. (231) (L, 1) incl. Supercharged	With Delco Coil Pack	1992	707
V6	3.8 LTR. (231)	with Magnavox Coil Pack	1992	780
V6	3.8 LTR. (231)		1991	780

RAINIER

V8	5.3 LTR. (325)		05-06	757
V8	5.3 LTR. (323)		2004	719

REATA

V6	3.8 LTR. (231) (L)		1991	707
V6	3.8 LTR. (231)		1990	780



CY.	APPLICATION	NOTES	YEAR	STI #
-----	-------------	-------	------	-------

BUICK - con't

REGAL

V6	2.8 LTR. (173) (W)		88-89	709
V6	3.1 LTR. (189) (M)		94-96	710
V6	3.1 LTR. (189) (T)		89-93	709
V6	3.8 LTR. (231)		99-04	748
V6	3.8 LTR. (231) (K)	Excluding Supercharged Eng.	97-98	755
V6	3.8 LTR. (231)		1996	755
V6	3.8 LTR. (231) (L)		93-95	707
V6	3.8 LTR. (231) (L)	With Delco Coil Pack	1992	707
V6	3.8 LTR. (231)	with Magnavox Coil Pack	1992	780
V6	3.8 LTR. (231) (L)		90-91	707

RENDEZVOUS

V6	3.4 LTR. (207)		02-05	746
V6	3.5 LTR. (213)		2006	786

RIVIERA

V6	3.8 LTR. (231)	Supercharged Eng.	98-99	768
V6	3.8 LTR. (231) (1)	Supercharged Eng.	96-97	768
V6	3.8 LTR. (231) (K)	Excluding Supercharged Eng.	96-97	752
V6	3.8 LTR. (231) (L, K, 1) incl. Supercharged		93-95	707
V6	3.8 LTR. (231) (L)	With Delco Coil Pack	1992	707
V6	3.8 LTR. (231)	with Magnavox Coil Pack	1992	780
V6	3.8 LTR. (231) (L)		1991	707
V6	3.8 LTR. (231)		1990	780

SKYHAWK

L4	2.0 LTR. (122) (1) Excluding Turbo		87-89	704
----	------------------------------------	--	-------	-----

SKYLARK

L4	2.3 LTR. (138)	Set contains Four Connectors	88-95	712
L4	2.4 LTR. (146)	Set contains Four Connectors	96-98	712
L4	2.5 LTR. (R)		1985	497
L4	2.5 LTR.		80-84	498
V6	2.8 LTR. (W)	F/inj. Eng.	1985	600
V6	2.8 LTR. (X)	Carb.	1985	412
V6	3.1 LTR. (189) (M)		94-98	710
V6	3.3 LTR. (204) (N)		89-91	707

SOMERSET

L4	2.5 LTR.		85-86	497
----	----------	--	-------	-----

TERRAZA

V6	3.5 LTR. (213)		05-06	786
----	----------------	--	-------	-----



CY.	APPLICATION	NOTES	YEAR	STI #
-----	-------------	-------	------	-------

CADILLAC

ALLANTE				
V8	4.5 LTR. (273)		89-92	783
CATERA				
V6	3.0 LTR. DOHC		97-99	682
CIMARRON				
V6	2.8 LTR.		85-86	600
CTS				
V8	5.7 LTR. (346)		04-05	766
V8	6.0 LTR. (364)		2006	757
DeVILLE				
V8	4.5 LTR. (273)		1990	783
V8	4.6 LTR. (281)		96-99	751
V8	4.9 LTR. (300)		91-95	783
ELDORADO				
V8	4.5 LTR. (273)		1990	783
V8	4.6 LTR. (281)		95-99	751
V8	4.9 LTR. (300)		91-93	783
ESCALADE				
V8	5.3 LTR. (323)		02-05	719
V8	5.7 LTR. (350)		99-00	701
V8	6.0 LTR. (364)		02-06	719
V8	6.2 LTR. (378)		2007	757
FLEETWOOD				
V8	4.5 LTR. (273) (3)		1990	783
V8	4.9 LTR. (300)		91-93	783
SEVILLE				
V8	4.5 LTR. (273)		1990	783
V8	4.6 LTR. (281)		98-99	769
V8	4.6 LTR. (281)		95-97	751
V8	4.9 LTR. (300)		91-93	783



CY.	APPLICATION	NOTES	YEAR	STI #
-----	-------------	-------	------	-------

CHEVROLET

ASTRO VAN

L4	2.5 LTR.		85-87	497
V6	4.3 LTR. (262)		96-05	699
V6	4.3 LTR. (262)		92-95	708

AVALANCHE

V8	5.3 LTR. (325)		2007	757
V8	5.3 LTR. (323)		02-06	719
V8	8.1 LTR. (496)		02-06	732

AVEO

L4	1.6 LTR. (98)		04-06	715
----	---------------	--	-------	-----

BERETTA, CORSICA

L4	2.0 LTR. (122) (1)		87-89	704
L4	2.2 LTR. (134)		93-96	779
L4	2.2 LTR. (134) (G)		90-91	704
L4	2.3 LTR. (140)	Set contains Four Connectors	90-94	712
V6	2.8 LTR. (173) (W)		1989	709
V6	3.1 LTR. (189) (M)		94-96	710
V6	3.1 LTR. (189) (T)		90-93	709

BLAZER (C, K, V SERIES)

V8	5.0 LTR. (305) (H)		1987	706
V8	5.7 LTR. (350) (K)		87-93	706
V8	5.7 LTR. (350)		1994	739

BLAZER, TRAILBLAZER (S SERIES)

L4	2.5 LTR.		85-87	497
V6	2.8 LTR.		85-89	412
V6	4.3 LTR. (262)		96-05	699
V6	4.3 LTR. (262)		92-95	708
V6	4.3 LTR. (262) W	For Vehicles w/ Screw-On Dist. Ends	1995	795*
V8	5.3 LTR. (325)		05-06	757
V8	5.3 LTR. (323)		03-04	757
V8	6.0 LTR. (364)		2006	757

CAMARO

L4	2.5 LTR.		85-86	497
L4	2.5 LTR.		82-84	498
V6	2.8 LTR.		85-89	600
V6	3.1 LTR. (T)		90-92	412
V6	3.8 LTR. (231)		00-02	772
V6	3.8 LTR. (231)		95-99	762
V8	5.7 LTR. (350)		98-02	766

* For use with Distributor cap that has horizontal towers.



CY.	APPLICATION	NOTES	YEAR	STI #
-----	-------------	-------	------	-------

CHEVROLET - con't

CAVALIER				
L4	2.0 LTR. (122) (1)		87-89	704
L4	2.2 LTR. (134) (4)		2002	756
L4	2.2 LTR. (134)		98-01	756
L4	2.2 LTR. (134)		93-97	779
L4	2.2 LTR. (134) (G)		90-91	704
L4	2.4 LTR. (146)	Set contains Four Connectors	95-02	712
V6	2.8 LTR.		85-86	600
V6	2.8 LTR. (173) (W)		1989	709
V6	3.1 LTR. (189) (T)		90-94	709

CELEBRITY				
L4	2.5 LTR.		85-86	497
L4	2.5 LTR.		82-84	498
V6	2.8 LTR. (173) (W)		87-89	709
V6	2.8 LTR. w/ H.O.		85-86	600
V6	2.8 LTR. (X)	Carb.	85-86	412
V6	3.1 LTR. (189) (T)		1990	709

CITATION				
L4	2.5 LTR.		1985	497
L4	2.5 LTR.		80-84	498
V6	2.8 LTR. w/ H.O.		1985	600
V6	2.8 LTR. (X)	Carb.	1985	412

CORVETTE				
V8	5.7 LTR. (350)		97-04	766
V8	6.0 LTR. (364)		05-07	757
V8	7.0 LTR. (427)		2006	757

EQUINOX				
V6	3.5 LTR. (207)		05-06	786

G SERIES VAN, EXPRESS VAN				
V6	4.3 LTR. (262) (W, X)		96-05	699
V6	4.3 LTR. (262) (Z)		92-96	708
V8	4.8 LTR. (294)		03-07	757
V8	5.0 LTR. (305)		96-02	701
V8	5.0 LTR. (305) (H)		87-93	706
V8	5.3 LTR. (323)		03-07	757
V8	5.7 LTR. (350) (R)		97-02	701
V8	5.7 LTR. (350) (R ONLY)		1996	701
V8	5.7 LTR. (350)	HD EMISSIONS	94-95	739
V8	5.7 LTR. (350) (K)		87-93	706
V8	6.0 LTR. (364)		03-07	757
V8	8.1 LTR. (496)		01-02	732

CY.	APPLICATION	NOTES	YEAR	STI #
CHEVROLET - con't				
IMPALA, CAPRICE, BEL AIR, BISCAYNE				
V6	3.4 LTR. (207)		01-05	746
V6	3.8 LTR. (231)		00-05	748
V6	3.4 LTR. (207)		2000	777
V6	4.3 LTR. (262) (Z)		92-93	708
V8	5.3 LTR. (325)		06-07	757
LUMINA				
V6	3.1 LTR. (189)		2001	746
V6	3.1 LTR. (189)		2000	777
V6	3.1 LTR. (189) (M)		95-99	710
V6	3.1 LTR. (189) (T, W)		90-94	709
V6	3.8 LTR. (231)		98-99	755
LUMINA APV				
V6	3.1 LTR.		90-95	600
V6	3.4 LTR. (207) (E)		1996	710
V6	3.8 LTR. (231) (L)		92-95	707
LUV PICKUP				
L4	1.8 LTR.		72-81	199
LLV (POSTAL VEHICLE)				
L4	2.2 LTR. (134)		94-95	779
MALIBU, CHEVELLE, LAGUNA				
L4	2.4 LTR. (146)	Set contains Four Connectors	97-99	712
V6	3.1 LTR. (189)		00-03	746
V6	3.1 LTR. (189) (M)		97-99	710
V6	3.5 LTR. (213)		04-06	786
METRO				
L4	1.0 LTR.		98-00	471
L4	1.3 LTR.		99-01	677*
L4	1.3 LTR.	Does not require Coil Lead	1998	610
MONTE CARLO				
V6	3.1 LTR. (189) (M)		95-99	710
V6	3.4 LTR. (207)		01-05	746
V6	3.4 LTR. (207)		2000	777
V6	3.8 LTR. (231)		00-05	748
V6	3.8 LTR. (231)		98-99	755
V8	5.3 LTR. (325)		06-07	757

* This set has only two leads. The other cylinders use Direct Ignition (N/A).



CY.	APPLICATION	NOTES	YEAR	STI #
-----	-------------	-------	------	-------

CHEVROLET - con't

MONZA

L4	2.5 LTR.		79-80	498
----	----------	--	-------	------------

NOVA

L4	1.6 LTR. DOHC 16-Valve Twin Cam		1988	292
L4	1.6 LTR. SOHC	Carb.	85-88	291

P SERIES TRUCK

V6	4.3 LTR. (W)		96-99	699
V6	4.3 LTR. (262) (Z)		92-95	708
V8	5.7 LTR. (350)		96-99	701
V8	5.7 LTR. (K)		87-93	706
V8	7.4 LTR. (454) (B)		98-99	719

PICKUP (C, K, R, V SERIES)

V6	4.3 LTR.		96-98	699
V6	4.3 LTR. (262) (Z)		92-95	708
V8	5.0 LTR. (305)		96-99	701
V8	5.0 LTR. (305)		94-95	739
V8	5.0 LTR. (305) (H)		87-93	706
V8	5.7 LTR. (350)		96-00	701
V8	5.7 LTR. (350)		94-95	739
V8	5.7 LTR. (350) (K)		87-93	706
V8	8.1 LTR. (496)		01-02	732

PICKUP (S, T SERIES)

L4	2.2 LTR. (134)		98-03	714
L4	2.2 LTR.		96-97	637
L4	2.2 LTR. (134)		94-95	779
L4	2.5 LTR.		85-87	497
V6	2.8 LTR.		85-93	412
V6	4.3 LTR. (262) (W, X)		96-04	699
V6	4.3 LTR. (262) W	For Vehicles w/ Screw-On Dist. Ends	1995	795*
V6	4.3 LTR. (262)		92-95	708

PRIZM

L4	1.8 LTR. (1ZZFE)		98-99	678
----	------------------	--	-------	------------

SILVERADO (C, K SERIES)

V6	4.3 LTR. (262)		99-05	765
V8	4.8 LTR. (294)		99-06	719
V8	5.3 LTR. (323)		99-06	719
V8	6.0 LTR. (364)		99-06	719
V8	8.1 LTR. (496)		01-06	732

* For use with Distributor cap that has horizontal towers.



CY.	APPLICATION	NOTES	YEAR	STI #
-----	-------------	-------	------	-------

CHEVROLET - con't

SPECTRUM

L4	1.5 LTR. Turbo		87-88	298
L4	1.5 LTR.		85-88	299

SPRINT

L3	1.0 LTR. (61)		89-91	471
L3	1.0 LTR. Turbo		87-88	471
L3	1.0 LTR.		85-88	301

SSR

V8	5.3 LTR. (325)		03-04	757
V8	6.0 LTR. (364)		05-06	757

SUBURBAN

V8	5.0 LTR. (305) (H)	Carb.	1987	706
V8	5.3 LTR. (323)		00-06	719
V8	5.7 LTR. (350)		96-99	701
V8	5.7 LTR. (350)		94-95	739
V8	5.7 LTR. (350) (K)		87-93	706
V8	6.0 LTR. (364)		00-06	719
V8	8.1 LTR. (496)		01-06	732

TAHOE

V8	4.8 LTR. (294)		2007	757
V8	4.8 LTR. (294)		00-06	719
V8	5.3 LTR. (325)		2007	757
V8	5.3 LTR. (323)		00-06	719
V8	5.7 LTR. (350)		96-00	701
V8	5.7 LTR. (350)		1995	739

TRACKER

L4	1.6 LTR.		99-00	677*
L4	1.6 LTR.		1998	610**

UPLANDER

V6	3.5 LTR. (213)		05-06	786
----	----------------	--	-------	------------

VENTURE

V6	3.4 LTR. (207) (E)		97-99	710
V6	3.4 LTR. (207)		2000	777
V6	3.4 LTR. (207)		01-05	746

* This set has only two leads. The other cylinders use Direct Ignition (N/A).

** This set contains a Coil Wire not needed in this application.



CY.	APPLICATION	NOTES	YEAR	STI #
-----	-------------	-------	------	-------

CHRYSLER

300 SERIES

V6	3.5 LTR.	Direct Ignition Coil Unit (6 Required)	99-04	5043
V8	5.7 LTR. (345)		2005	797

CIRRUS

L4	2.0 LTR. (122)		2000	672
L4	2.4 LTR.		2000	624
L4	2.4 LTR.		95-97	624
V6	2.5 LTR.		95-00	648

CONCORDE

V6	3.2 LTR.	Direct Ignition Coil Unit (6 Required)	98-01	5043
V6	3.3 LTR.		93-96	649
V6	3.5 LTR.	Direct Ignition Coil Unit (6 Required)	02-03	5043
V6	3.5 LTR.		93-97	475

CONQUEST

L4	2.6 LTR.		87-89	227
----	----------	--	-------	------------

CROSSFIRE

V6	3.2 LTR. SOHC		04-05	643
----	---------------	--	-------	------------

DAYTONA (Canada)

L4	2.2 LTR. (135) incl. Turbo		84-90	221
L4	2.5 LTR. (153)		91-93	495
L4	2.5 LTR. (153)		87-90	221
V6	3.0 LTR. (181)		90-93	604

DYNASTY (Canada)

L4	2.5 LTR. (153)		91-92	495
L4	2.5 LTR. (153)		88-90	221
V6	3.0 LTR. (181)		1990	604
V6	3.3 LTR. (201) (R)		91-93	711

E CLASS, EXECUTIVE

L4	2.2 LTR. incl. Turbo		83-86	221
L4	2.6 LTR.		83-84	227

GRAND VOYAGER, VOYAGER

L4	2.4 LTR. (148)		01-03	713
L4	2.4 LTR. (148)		2000	624
V6	3.0 LTR. (181)		2000	604
V6	3.3 LTR. (201)		01-03	773
V6	3.3 LTR. (201)		2000	740



CY.	APPLICATION	NOTES	YEAR	STI #
-----	-------------	-------	------	-------

CHRYSLER - con't

IMPERIAL

V6	3.3 LTR. (201) (R)		90-91	711
V6	3.8 LTR. (230) (L)		91-93	711

INTREPID (Canada)

V6	3.3 LTR. (201)		93-97	649
V6	3.5 LTR. (F)		93-97	475

LASER

L4	2.2, 2.5 LTR.		84-86	221
----	---------------	--	-------	-----

LeBARON

L4	2.2 LTR.		82-90	221
L4	2.5 LTR. incl. Turbo		91-93	495
L4	2.5 LTR. incl. Turbo		86-90	221
L4	2.6 LTR.		1985	314
L4	2.6 LTR.		82-84	227
V6	3.0 LTR.		90-95	604

LHS

V6	3.5 LTR.	Direct Ignition Coil Unit (6 Required)	99-01	5043
V6	3.5 LTR.		94-97	475

NEW YORKER

L4	2.2 LTR.		83-88	221
L4	2.5 LTR.		86-87	221
L4	2.6 LTR.		1985	314
L4	2.6 LTR.		83-84	227
V6	3.0 LTR.		1990	604
V6	3.3 LTR. (201) (R)		90-93	711
V6	3.5 LTR.		94-96	475
V6	3.8 LTR. (230) (L)		91-93	711

PROWLER

V6	3.5 LTR.	Direct Ignition Coil Unit (6 Required)	01-02	5043
----	----------	--	-------	------

PT CRUISER

L4	2.4 LTR. (148)		01-05	713
----	----------------	--	-------	-----



CY.	APPLICATION	NOTES	YEAR	STI #
-----	-------------	-------	------	-------

CHRYSLER - con't

SEBRING

L4	2.0, 2.4 LTR.		95-99	624
L4	2.4 LTR. (148) (G) SOHC		01-05	718
L4	2.4 LTR. (148) (X) DOHC		01-06	713
V6	2.5 LTR.		95-00	648
V6	3.0 LTR. (181)		01-05	648

TC by Maserati

L4	2.2 LTR. Turbo		89-90	221
V6	3.0 LTR.		90-91	604

TOWN & COUNTRY

L4	2.2 LTR. incl. Turbo		82-88	221
L4	2.5 LTR.		86-88	221
L4	2.6 LTR.		1985	314
L4	2.6 LTR.		82-84	227
V6	3.3 LTR. (201)		01-06	773
V6	3.3 LTR. (201)		96-00	740
V6	3.3 LTR. (201) (R)		90-93	711
V6	3.8 LTR. (230)		01-06	773
V6	3.8 LTR. (230)		96-00	740
V6	3.8 LTR. (230) (L)		94-95	711

DAEWOO

LANOS

L4	1.6 LTR.		99-02	715
----	----------	--	-------	-----

LEGANZA

L4	2.2 LTR.		99-02	722
----	----------	--	-------	-----

NUBIRA

L4	2.0 LTR.		99-02	722
----	----------	--	-------	-----

CY.	APPLICATION	NOTES	YEAR	STI #
DAIHATSU				
CHARADE				
L3	1.0 LTR. (CB)		88-92	301
L4	1.3 LTR. (HCE)		88-92	453
ROCKY				
L4	1.6 LTR. (HDE)		90-92	453
DATSUN (see Nissan)				
DeLOREAN				
DMC 12				
V6	2.9 LTR. (2850cc)		81-83	262
DODGE				
2000 GTX (Canada)				
L4	2.0 LTR. (122)		89-90	314
ARIES, 400, 600				
L4	2.2, 2.5 LTR. incl. Turbo		81-89	221
L4	2.6 LTR.		1985	314
L4	2.6 LTR.		81-84	227
AVENGER				
L4	2.0 LTR. DOHC		95-99	624
V6	2.5 LTR.		95-00	648
CARAVAN, GRAND CARAVAN, MINI RAM				
L4	2.2, 2.5 LTR.		84-90	221
L4	2.4 LTR. (148)		01-06	713
L4	2.4 LTR. (B)		96-00	624
L4	2.5 LTR. (K)		91-95	495
L4	2.6 LTR. (G)		84-87	314
V6	3.0 LTR. (3)		90-00	604
V6	3.3 LTR. (201)		01-06	773
V6	3.3 LTR. (201)		96-00	740
V6	3.3 LTR. (201) (J, R)		90-95	711
V6	3.8 LTR. (230)		01-06	773
V6	3.8 LTR. (230)		96-00	740
V6	3.8 LTR. (230) (L)		94-95	711
CHALLENGER				
L4	1.6, 2.0, 2.6 LTR.		78-83	227
CHARGER				
L4	2.2 LTR. incl. Turbo		83-87	221
COLT				
L4	1.4 LTR.		79-84	187
L4	1.5 LTR.		91-94	299
L4	1.5 LTR.		85-90	314
L4	1.6 LTR. incl. Turbo		89-90	425
L4	1.6 LTR. incl. Turbo (F)		85-88	314
L4	1.6 LTR.		80-84	187
L4	1.6 LTR.		71-79	227



CY.	APPLICATION	NOTES	YEAR	STI #
-----	-------------	-------	------	-------

DODGE - con't

COLT - con't

L4	1.8 LTR. (C)		93-94	492
L4	1.8 LTR. (T)		1990	314
L4	1.8 LTR. (T)		1989	187
L4	2.0 LTR. (U)		74-77	227
L4	2.6 LTR. (F)		78-80	227

COLT VISTA

L4	1.8 LTR.		92-94	492
L4	2.0 LTR.		87-91	314
L4	2.0 LTR. (D)		84-86	227
L4	2.4 LTR.		93-94	492
L4	2.4 LTR.		1992	314

CONQUEST

L4	2.6 LTR.		84-86	227
----	----------	--	-------	-----

D50, RAM 50 PICKUP

L4	2.0, 2.6 LTR.		78-86	227
L4	2.4, 2.6 LTR.		90-93	314
V6	3.0 LTR		90-91	414

DAKOTA PICKUP

L4	2.2, 2.5 LTR.		87-90	221
L4	2.5 LTR. (153)		96-02	761
L4	2.5 LTR. (G)		91-95	495
V6	3.7 LTR.	Direct Ignition Coil Unit (6 Required)	04-06	5041
V6	3.9 LTR. (239)		00-03	778
V6	3.9 LTR. (239)		92-99	738
V8	4.7 LTR.	Direct Ignition Coil Unit (8 Required)	00-06	5041
V8	5.2 LTR. (318)		92-99	716
V8	5.9 LTR. (360)		98-03	716

DAYTONA

L4	2.2, 2.5 LTR.		1991	495
L4	2.2, 2.5 LTR. incl. Turbo		84-90	221
L4	2.5 LTR.		91-93	495
V6	3.0 LTR. (3)		90-93	604

DURANGO

V6	3.9 LTR. (239)		98-99	738
V8	4.7 LTR.	Direct Ignition Coil Unit (8 Required)	00-05	5041
V8	5.2 LTR. (318)		98-00	716
V8	5.9 LTR. (360)		98-03	716

DYNASTY

L4	2.5 LTR. (K)		91-93	495
L4	2.5 LTR. (K)		88-90	221
V6	3.0 LTR. (3)		90-93	604
V6	3.3 LTR. (201) (R)		90-93	711

EXPO

L4	2.2 LTR. (135)		87-89	221
----	----------------	--	-------	-----



CY.	APPLICATION	NOTES	YEAR	STI #
-----	-------------	-------	------	-------

DODGE - con't

INTREPID

V6	3.2 LTR.	Direct Ignition Coil Unit (6 Required)	98-01	5043
V6	3.3 LTR.		93-97	649
V6	3.5 LTR.	Direct Ignition Coil Unit (6 Required)	00-04	5043
V6	3.5 LTR. (F)		93-97	475

LANCER

L4	2.2, 2.5 LTR.		85-89	221
----	---------------	--	-------	------------

MAGNUM

V8	5.7 LTR. (345)		2005	797
----	----------------	--	------	------------

MONACO

V6	3.0 LTR. (U)		91-92	452
V6	3.0 LTR. (U)		1990	408

NEON

L4	2.0 LTR. (122)		01-05	672
L4	2.0 LTR. SOHC (C)		97-00	672
L4	2.0 LTR. DOHC (Y)		95-00	624
L4	2.0 LTR. SOHC (C)		95-96	641
L4	2.4 LTR. (148) Turbo		03-05	713

OMNI

L4	1.6 LTR. (A)		83-86	221
L4	2.2 LTR.		81-90	221

PICKUP (D, W SERIES)

V6	3.9 LTR. (239)		92-93	738
V8	5.2 LTR. (318)		92-93	716
V8	5.9 LTR. (360)		1993	716

RAIDER

L4	2.6 LTR. (E)		87-89	227
V6	3.0 LTR. (S)		1989	414

RAM PICKUP (BE, BR SERIES)

V6	3.7 LTR.	Direct Ignition Coil Unit (6 Required)	02-06	5041
V6	3.9 LTR. (239)		00-01	778
V6	3.9 LTR. (239)		94-99	738
V8	4.7 LTR.	Direct Ignition Coil Unit (8 Required)	02-06	5041
V8	5.2 LTR. (318)		94-01	716
V8	5.9 LTR. (360)		94-03	716
V10	8.0 LTR. (488)		94-02	767



CY.	APPLICATION	NOTES	YEAR	STI #
-----	-------------	-------	------	-------

DODGE - con't

RAM VAN (B SERIES)				
V6	3.9 LTR. (239)		00-03	778
V6	3.9 LTR. (239)		1999	738
V8	5.2 LTR. (318)		99-03	716
V8	5.9 LTR. (360)		99-03	716
RAMCHARGER				
V8	5.2 LTR. (318)		1993	716
V8	5.9 LTR. (360)		1993	716
RAMPAGE, SCAMP				
L4	2.2 LTR.		82-84	221
SHADOW				
L4	2.2, 2.5 LTR. incl. Turbo		91-94	495
L4	2.2, 2.5 LTR. incl. Turbo		87-90	221
V6	3.0 LTR. (3)		92-94	604
SPIRIT				
L4	2.5 LTR. incl. Turbo		91-95	495
L4	2.5 LTR. incl. Turbo		89-90	221
V6	3.0 LTR. (3)		89-95	604
STEALTH				
V6	3.0 LTR. DOHC (B, C, J, K)		91-96	474
V6	3.0 LTR. SOHC (H, S)		91-96	422
STRATUS				
L4	2.0 LTR. SOHC (C)		97-00	672
L4	2.0 LTR. (C)		95-96	641
L4	2.4 LTR. (X)		95-00	624
L4	2.4 LTR. (148) SOHC (G)		01-05	718
L4	2.4 LTR. (148) DOHC (X)		01-05	713
V6	2.5 LTR. (H)		95-00	648
V6	3.0 LTR. (181)		01-05	648
VAN (A, B SERIES)				
V6	3.9 LTR. (239)		92-98	738
V8	5.2 LTR. (318)		92-98	716
V8	5.9 LTR. (360)		93-98	716



CY.	APPLICATION	NOTES	YEAR	STI #
-----	-------------	-------	------	-------

EAGLE

2000 GTX (Canada)

L4	2.0 LTR. (122) (D, V)		91-93	314
L4	2.0 LTR. DOHC incl. Turbo		91-92	425

MEDALLION

L4	2.2 LTR. (F)		88-89	390
----	--------------	--	-------	-----

PREMIER

V6	3.0 LTR. (U)		91-92	452
V6	3.0 LTR.		88-90	408

SUMMIT

L4	1.5 LTR. (A)		92-96	299
L4	1.5 LTR.		89-91	375
L4	1.6 LTR.16-Valve Turbo (Y)		89-90	425
L4	1.8 LTR.		93-96	492

SUMMIT WAGON

L4	1.8 LTR.		1992	492
L4	1.8, 2.4 LTR..		93-96	492
L4	2.4 LTR.		1992	227

TALON

L4	1.8 LTR. (B)		93-94	227
L4	2.0 LTR. DOHC (Y)		95-98	624
L4	2.0 LTR. Turbo		90-98	425

VISION

V6	3.3 LTR.		93-97	649
V6	3.5 LTR. (F)		93-97	475

VISTA

L4	1.5 LTR. (90)		89-92	314
L4	1.6 LTR. (98)		89-90	425
L4	2.0 LTR. (122)		89-91	314



CY.	APPLICATION	NOTES	YEAR	STI #
-----	-------------	-------	------	-------

FIAT

124 SEDAN, WAGEN				
L4	1.4, 1.6 LTR.		71-73	129
L4	1.6 LTR.		1974	126
124 SPIDER, COUPE				
L4	1.6, 1.8, 2.0 LTR.		71-82	126
128				
L4	1.3 LTR.		74-79	126
131				
L4	1.8 LTR.		75-78	126
850				
L4	.8, .9 LTR.		68-73	125
BRAVA				
L4	2.0 LTR.		79-81	126
124 SEDAN, WAGEN				
L4	1.4, 1.6 LTR.		71-73	129
L4	1.6 LTR.		1974	126
124 SPIDER, COUPE				
L4	1.6, 1.8, 2.0 LTR.		71-82	126
128				
L4	1.3 LTR.		74-79	126
131				
L4	1.8 LTR.		75-78	126
850				
L4	.8, .9 LTR.		68-73	125
BRAVA				
L4	2.0 LTR.		79-81	126
SPIDER				
L4	1.4 LTR.		68-70	129
STRADA				
L4	1.5 LTR.		79-81	220
X 1/9				
L4	1.3, 1.5 LTR.		74-83	220



CY.	APPLICATION	NOTES	YEAR	STI #
-----	-------------	-------	------	-------

FORD

AEROSTAR

L4	2.3 LTR. (A)		86-87	267
V6	3.0 LTR. (U)		96-97	664
V6	3.0 LTR. (U)		91-95	605
V6	3.0 LTR. (U)		86-90	496
V6	4.0 LTR. (X)		1997	675
V6	4.0 LTR. (X)		90-96	480

ASPIRE

L4	1.3 LTR. (H)		94-97	347
----	--------------	--	-------	-----

B,C,F,H,L,M,N,P,R,T SERIES

V8	7.0 LTR. (429)		92-95	776
V8	7.0 LTR. (429) EFI		1991	776
V8	7.5 LTR. (460)		92-97	776
V8	7.5 LTR. (460) EECIV		88-91	776

BRONCO

L6	4.9 LTR. (300) (Y)		87-92	705
V8	5.0 LTR. (302)		94-96	763
V8	5.0 LTR. (302)		87-93	698
V8	5.8 LTR. (351)		88-96	737
V8	5.8 LTR. (351)		80-87	698

BRONCO II

L4	2.3 LTR.		1986	267
V6	2.8 LTR. (171)		84-85	734
V6	2.9 LTR. (177)		86-90	734

CONTOUR

L4	2.0 LTR. (122) (3)		2000	754
L4	2.0 LTR. (122) (3)	Coil Pack (1 Required)	2000	5054
L4	2.0 LTR. (122)	Up To 5/99	1999	741
L4	2.0 LTR. (122)	From 5/99 on	1999	754
L4	2.0 LTR. (122)	From 5/99 on Coil Pack (1 Required)	1999	5054
L4	2.0 LTR. (122)		95-98	741
V6	2.5 LTR. (152)		97-00	720

COURIER PICKUP

L4	1.8, 2.0 LTR.		72-82	315
----	---------------	--	-------	-----

CROWN VICTORIA

V8	4.6 LTR. Gas Eng.	Direct Ignition Coil Unit (8 Required)	98-06	5011*
V8	4.6 LTR. (W)		96-98	676
V8	4.6 LTR.		92-95	468
V8	5.8 LTR. (351) (G)		88-91	698

* Order STI # 5011B if you need the Connector and Spring Only.



CY.	APPLICATION	NOTES	YEAR	STI #
-----	-------------	-------	------	-------

FORD - con't

ESCAPE				
L4	2.0 LTR. (122)		01-04	754
L4	2.0 LTR. (122)	Coil Pack (1 Required)	01-04	5054
L4	2.3 LTR. DOHC	Direct Ignition Coil Unit (4 Required)	05-06	5053
V6	3.0 LTR. DOHC	Direct Ignition Coil Unit (6 Required)	01-06	5048

ECONOLINE, VAN (E Series)				
V6	4.2 LTR. (256)		01-03	781
V6	4.2 LTR. (256)	Coil Pack (1 Required)	01-03	5055
V6	4.2 LTR. (256)		97-00	749
V8	4.6 LTR.	Direct Ignition Coil Unit (8 Required)	00-05	5011*
V8	4.6 LTR. (6)		97-98	676
L6	4.9 LTR. (300) (Y)		87-96	705
V8	5.0 LTR. (302)		94-96	763
V8	5.0 LTR. (302)		1993	698
V8	5.0 LTR. (302) EECIV		87-92	698
V8	5.4 LTR.	Direct Ignition Coil Unit (8 Required)	97-06	5011*
V8	5.8 LTR. (351)		88-96	737
V8	5.8 LTR. (351)		80-87	698
V10	6.8 LTR. F/inj. Eng.	Direct Ignition Coil Unit (10 Required)	97-03	5011*
V8	7.5 LTR. (460)		89-96	776
V8	7.5 LTR. (460) (G), FI		87-88	776

ESCORT, ZX2				
L4	1.8 LTR. (8)	GT Model	91-96	378
L4	1.9 LTR. (J)		91-96	612
L4	2.0 LTR. (121) (3) DOHC		2003	754
L4	2.0 LTR. (121) (3) DOHC	Coil Pack (1 Required)	2003	5054
L4	2.0 LTR. (121) (3) DOHC		98-02	741
L4	2.0 LTR. (122) (P) SOHC		98-02	747
L4	2.0 LTR. (122)		1997	747

EXCURSION				
V8	5.4 LTR. F/inj. Eng.	Direct Ignition Coil Unit (8 Required)	00-05	5011*
V10	6.8 LTR. F/inj. Eng.	Direct Ignition Coil Unit (10 Required)	00-05	5011*

EXPEDITION				
V8	4.6 LTR. F/inj. Eng.	Direct Ignition Coil Unit (8 Required)	99-04	5011*
V8	4.6 LTR. (W)		97-98	676
V8	5.4 LTR. F/inj. Eng.	Direct Ignition Coil Unit (8 Required)	97-05	5011*

* Order STI # 5011B if you need the Connector and Spring Only.



CY.	APPLICATION	NOTES	YEAR	STI #
-----	-------------	-------	------	-------

FORD - con't

EXPLORER

V6	4.0 LTR. (245) (E)	Excluding Sport Trac	04-06	693
V6	4.0 LTR. (245) (E)	Excluding Sport & Sport Trac	02-03	693
V6	4.0 LTR. (245) (X)		91-96	480
V6	4.0 LTR. (245) OHV (X)		97-01	675
V6	4.0 LTR. (245) SOHC (E)		97-00	674
V6	4.0 LTR. (245) SOHC (E)	Excluding Sport & Sport Trac	2001	674
V6	4.0 LTR. (245) SOHC (E)	Sport & Sport Trac	01-03	692
V6	4.0 LTR. (245) SOHC (E)	Sport Trac	04-05	692
V8	4.6 LTR.	Direct Ignition Coil Unit (8 Required)	02-05	5011*
V8	5.0 LTR. (302)		98-01	753
V8	5.0 LTR. (302)		96-97	774

FAIRMONT, FUTURA

L4	2.3 LTR.		78-83	267
----	----------	--	-------	-----

FESTIVA

L4	1.3 LTR.		88-93	347
----	----------	--	-------	-----

FAIRMONT, FUTURA

L4	2.3 LTR.		78-83	267
----	----------	--	-------	-----

FESTIVA

L4	1.3 LTR.		88-93	347
----	----------	--	-------	-----

FIVE HUNDRED

V6	3.0 LTR. DOHC	Direct Ignition Coil Unit (6 Required)	05-06	5048
----	---------------	--	-------	------

FREESTAR

V6	3.9, 4.2 LTR.	Coil Pack (1 Required)	04-07	5055
----	---------------	------------------------	-------	------

FREESTYLE

V6	3.0 LTR. DOHC	Direct Ignition Coil Unit (6 Required)	05-06	5048
----	---------------	--	-------	------

FOCUS

L4	2.0 LTR. (121)		2005	754
L4	2.0 LTR. (121)	Coil Pack (1 Required)	2005	5054
L4	2.0 LTR. (121) (3) DOHC		03-04	754
L4	2.0 LTR. (121) (3) DOHC	Coil Pack (1 Required)	03-04	5054
L4	2.0 LTR. (122) (P) SOHC		00-04	782
L4	2.0 LTR. (122) (3) DOHC		00-02	754
L4	2.0 LTR. (122) (3) DOHC	Coil Pack (1 Required)	00-02	5054
L4	2.0 LTR. (122) (5) DOHC		02-04	754
L4	2.0 LTR. (122) (5) DOHC	Coil Pack (1 Required)	02-04	5054
L4	2.3 LTR. DOHC	Direct Ignition Coil Unit (4 Required)	03-06	5053

FUSION

L4	2.3 LTR. DOHC	Direct Ignition Coil Unit (4 Required)	2006	5053
----	---------------	--	------	------

* Order STI # 5011B if you need the Connector and Spring Only.



CY.	APPLICATION	NOTES	YEAR	STI #
-----	-------------	-------	------	-------

FORD - con't**GRANADA**

L4	2.3 LTR.		81-82	267
----	----------	--	-------	-----

LTD

L4	2.3 LTR.		83-86	267
V8	5.8 LTR. (351)		81-85	698
V8	5.8 LTR. (351)	Excluding Calif.	1980	698

MUSTANG

L4	2.3 LTR.		91-93	606
L4	2.3 LTR.		77-90	267
V6	3.8, 3.9 LTR.	Coil Pack (1 Required)	01-04	5055
V6	4.0 LTR.		05-07	692
V8	4.6 LTR. SOHC ONLY	Direct Ignition Coil Unit (8 Required)	00-05	5011*
V8	5.0 LTR. (302)		84-93	698

PICKUP (F Series)

V6	4.2 LTR. (256)		01-05	781
V6	4.2 LTR. (256)	Coil Pack (1 Required)	01-07	5055
V6	4.2 LTR. (256)		97-00	749
V8	4.6 LTR. F/inj. Eng.	Direct Ignition Coil Unit (8 Required)	00-05	5011*
V8	4.6 LTR.		97-98	676
L6	4.9 LTR. (300) (Y)		87-96	705
V8	5.0 LTR. (302)		94-96	763
V8	5.0 LTR. (302) (N)		92-93	698
V8	5.0 LTR. (302) EECIV		87-91	698
V8	5.4 LTR.	Direct Ignition Coil Unit (8 Required)	97-05	5011*
V8	5.8 LTR. (351)		96-97	737
V8	5.8 LTR. (351) (H)		93-95	737
V8	5.8 LTR. (351)		88-92	737
V8	5.8 LTR. (351)		80-87	698
V10	6.8 LTR. F/inj. Eng.	Direct Ignition Coil Unit (10 Required)	99-03	5011*
V8	7.5 LTR. (460)		89-97	776
V8	7.5 LTR. (460) (G), FI		1988	776

PINTO

L4	2.3 LTR.		77-80	267
----	----------	--	-------	-----

PROBE

L4	2.0 LTR. (A)		93-97	461
L4	2.2 LTR. incl. Turbo		89-92	380
V6	3.0 LTR. (U)		90-92	496

PROBE GT

V6	2.5 LTR. (B)		93-97	466
----	--------------	--	-------	-----

* Order STI # 5011B if you need the Connector and Spring Only.



CY.	APPLICATION	NOTES	YEAR	STI #
-----	-------------	-------	------	-------

FORD - con't

RANGER

L4	2.0, 2.3 LTR.	with Single Plug	83-90	267
L4	2.3 LTR. (140)		01-06	789
L4	2.3 LTR. (140) (A)		95-97	696
L4	2.3 LTR. (140) (A)		92-94	606
L4	2.3 LTR. (140) (A)	Dual Plug only	89-90	606
L4	2.5 LTR. (150) (C)		98-02	696
V6	2.8 LTR. (171)		83-85	734
V6	2.9 LTR. (177)		86-92	734
V6	3.0 LTR. (182)		01-06	694
V6	3.0 LTR. (182)	Coil Pack (1 Required)	01-07	5055
V6	3.0 LTR. (182)		98-00	691
V6	3.0 LTR. (182) (U)		95-97	664
V6	3.0 LTR. (182) (U)		91-94	605
V6	4.0 LTR. (245)		03-07	692
V6	4.0 LTR. (245) SOHC (E)		01-02	692
V6	4.0 LTR. (245) (X)		97-02	675
V6	4.0 LTR. (245) (X)		90-96	480

TAURUS

L4	2.5 LTR. (153)		88-91	733
V6	3.0 LTR. (182) DOHC & OHV	Coil Pack (1 Required)	01-07	5055
V6	3.0 LTR. (182) DOHC (S)		01-05	793**
V6	3.0 LTR. DOHC 24 VALVE (S)	Direct Ignition Coil Unit (6 Required)	2004	5048
V6	3.0 LTR. DOHC 24 VALVE (S)	Direct Ignition Coil Unit (6 Required)	2000	5048
V6	3.0 LTR. (182) DOHC (S)		96-99	775
V6	3.0 LTR. (182) DOHC SHO (Y)		89-95	494
V6	3.0 LTR. (182) OHV (2)	Flex Fuel Only	01-05	695**
V6	3.0 LTR. (182) OHV (2)	Flex Fuel Only	96-00	794
V6	3.0 LTR. (182) OHV (1)	Flex Fuel Only	93-98	794
V6	3.0 LTR. (182) OHV (U)		01-06	695**
V6	3.0 LTR. (182) OHV (U)	Excluding Flex Fuel	96-00	742
V6	3.0 LTR. (182) OHV (U)	Excluding Flex Fuel	1995	605
V6	3.0 LTR. (182) OHV (U)	Excluding Flex Fuel	89-94	496
V6	3.0 LTR. (182)	Excluding SHO	86-88	496
V6	3.2 LTR. (195)		93-95	494
V8	3.4 LTR.	Direct Ignition Coil Unit (8 Required)	96-99	5042
V6	3.8 LTR. (232)		91-95	736

** Use this wire set in conjunction with #5055 Coil Pack (1 Req)



CY.	APPLICATION	NOTES	YEAR	STI #
-----	-------------	-------	------	-------

FORD - con't

TEMPO

L4	2.3 LTR. (140)		88-94	733
V6	3.0 LTR. (U)		92-94	496

THUNDERBIRD

L4	2.3 LTR. incl. Turbo		83-88	267
V6	3.8 LTR. (232) (4)	Excluding Calif.	1996	735
V6	3.8 LTR. (232) (4)	Excluding Supercharged Eng. & Calif.	94-95	735
V6	3.8 LTR. (232) (4)	Excluding Supercharged Eng.	89-93	735
V8	5.0 LTR. (302)		91-93	763
V8	5.8 LTR. (351) (H)	Calif.	1979	698

WINDSTAR

V6	3.0 LTR. (182)		95-00	807
V6	3.8 LTR. (232)		01-03	806
V6	3.8 LTR. (232)	Coil Pack (1 Required)	01-03	5055
V6	3.8 LTR. (232)		99-00	770
V6	3.8 LTR. (232)		97-98	760
V6	3.8 LTR. (232)		95-96	764

GEO

METRO

L3	1.0 LTR.		89-97	471
L4	1.3 LTR.		1995	185

PRIZM

L4	1.6 LTR. DOHC (6)	Cap Wire Assembly	89-92	397Y
L4	1.6, 1.8 LTR.		93-97	485

PRIZM GSi

L4	1.6 LTR. HO DOHC (5)		90-92	439
----	----------------------	--	-------	------------

SPECTRUM

L4	1.5 LTR. (7)		1989	299
L4	1.5 LTR. Turbo (9)		1989	298

STORM

L4	1.6 LTR. (6)		90-93	413
----	--------------	--	-------	------------

STORM GSi

L4	1.6 LTR. (5)		90-91	462
L4	1.8 LTR. (8)		92-93	462

TRACKER

L4	1.6 LTR. (6)		94-97	610
L4	1.6 LTR. (U)		89-95	406

CY.	APPLICATION	NOTES	YEAR	STI #
-----	-------------	-------	------	-------

GMC TRUCK

ENVOY, JIMMY, TYPHOON (S SERIES)

L4	2.5 LTR. (E)		85-87	497
V6	2.8 LTR.		85-89	412
V6	4.3 LTR.		96-01	699
V6	4.3 LTR. (262) Excluding Turbo		92-95	708
V6	4.3 LTR. (262)	For Vehicles w/ Screw-On Dist. Ends	1995	795*
V8	5.3 LTR. (325)		05-06	757
V8	5.3 LTR. (323)		03-04	757

G SERIES VAN (SAVANA VAN)

V6	4.3 LTR. (262) (W, X)		96-05	699
V6	4.3 LTR. (262) (Z)		92-96	708
V8	4.8 LTR. (294)		03-06	757
V8	5.0 LTR. (305)		96-02	701
V8	5.0 LTR. (305) (H)		87-93	706
V8	5.3 LTR. (323)		03-06	757
V8	5.7 LTR. (350)		97-02	701
V8	5.7 LTR. (350) (R ONLY)		1996	701
V8	5.7 LTR. (350)	HD EMISSIONS	94-95	739
V8	5.7 LTR. (350) (K)		87-93	706
V8	6.0 LTR. (364)		03-06	757
V8	8.1 LTR. (496)		01-02	732

JIMMY (C, K, V SERIES)

V8	5.0 LTR. (305)		1987	706
V8	5.7 LTR. (350) (K)		87-91	706

P SERIES TRUCK

V6	4.3 LTR. (W)		96-99	699
V6	4.3 LTR. (262) (Z)		92-95	708
V8	5.7 LTR. (350)		96-99	701
V8	5.7 LTR. (350) (K, P)		87-93	706
V8	7.4 LTR. (454) (B)		98-99	719

PICKUP (C, K, R, V SERIES)

V6	4.3 LTR. (W)		96-98	699
V6	4.3 LTR. (262)		92-95	708
V8	5.0 LTR. (305) (M)		96-99	701
V8	5.0 LTR. (305)		94-95	739
V8	5.0 LTR. (305) (H)		87-93	706
V8	5.7 LTR. (350)		96-00	701
V8	5.7 LTR. (350)		94-95	739
V8	5.7 LTR. (350) (K)		87-93	706
V8	8.1 LTR. (496)		01-02	732

* For use with Distributor cap that has horizontal towers.



CY.	APPLICATION	NOTES	YEAR	STI #
-----	-------------	-------	------	-------

GMC TRUCK - con't

PICKUP, SONOMA, SYCLONE (S, T SERIES)

L4	2.2 LTR. (134)		98-03	714
L4	2.2 LTR. (134)		96-97	637
L4	2.2 LTR. (134)		94-95	779
L4	2.5 LTR. (E)		85-87	497
V6	2.8 LTR.		85-93	412
V6	4.3 LTR. (262)		96-04	699
V6	4.3 LTR. (262) W	For Vehicles w/ Screw-On Dist. Ends	1995	795*
V6	4.3 LTR. (262)		92-95	708

SAFARI VAN (L, M SERIES)

L4	2.5 LTR. (E)		85-87	497
V6	4.3 LTR. (262) (W, X)		96-05	699
V6	4.3 LTR. (262) (W, Z)		92-95	708

SIERRA (C, K SERIES)

V6	4.3 LTR. (262)		99-05	765
V8	4.8 LTR. (294)		99-06	719
V8	5.3 LTR. (323)		99-06	719
V8	6.0 LTR. (364)		99-06	719
V8	8.1 LTR. (496)		01-06	732

SUBURBAN

V8	5.0 LTR. (305) (H)	Carb.	1987	706
V8	5.7 LTR. (350) (R)		96-99	701
V8	5.7 LTR. (350)		94-95	739
V8	5.7 LTR. (350) (K)		87-93	706

YUKON, DENALI

V8	4.8 LTR. (294)		00-06	719
V8	5.3 LTR. (325)		2007	757
V8	5.3 LTR. (323)		00-06	719
V8	5.7 LTR. (350)		96-00	701
V8	5.7 LTR. (350)		94-95	739
V8	5.7 LTR. (350) (K)		92-93	706
V8	6.0 LTR. (364)		00-06	719
V8	6.2 LTR. (378)		2007	757
V8	8.1 LTR. (496)		01-06	732

* For use with Distributor cap that has horizontal towers.

CY.	APPLICATION	NOTES	YEAR	STI #
HONDA				
ACCORD				
L4	1.6, 1.8 LTR.	Coil Lead includes Coil Cover	76-83	230
ACCORD DX				
L4	1.8 LTR. (EK1)	Coil Lead includes Coil Cover	82-83	230
L4	2.0 LTR.	Carb. Eng.	86-89	363
L4	2.2 LTR.	Excluding V-TEC	90-97	384
L4	2.3 LTR.		98-02	473
ACCORD EX				
L4	2.2 LTR. SOHC V-TEC		96-00	473
L4	2.2 LTR.	Excluding V-TEC	90-93	384
L4	2.2, 2.3 LTR.		94-02	473
L4	2.3 LTR. SOHC V-TEC		98-99	473
V6	2.7 LTR. SOHC	Set includes Coil Wire for TEC Ign.	95-97	619
V6	3.0 LTR. DOHC	Including V-TEC	98-00	665
ACCORD LX				
L4	1.8 LTR. (ES2)	Coil Lead includes Coil Cover	84-85	258
L4	1.8 LTR. (EK1)	Coil Lead includes Coil Cover	82-83	230
L4	2.0 LTR.	F/inj. Eng.	87-89	335
L4	2.0 LTR.	Carb. Eng.	86-89	363
L4	2.2 LTR.	Excluding V-TEC	90-97	384
L4	2.3 LTR. SOHC V-TEC		98-02	473
V6	2.7 LTR. SOHC	Set includes Coil Wire for TEC Ign.	95-97	619
V6	3.0 LTR. DOHC		98-99	665
ACCORD S				
L4	1.8 LTR. (ES2)	Coil Lead includes Coil Cover	84-85	258
ACCORD SE				
L4	1.8 LTR.		1985	335
L4	2.0 LTR.	F/inj. Eng.	1989	335
L4	2.2 LTR.	Excluding V-TEC	91-97	384
L4	2.3 LTR. SOHC V-TEC		00-02	473
CIVIC, GL, S				
L4	1.2, 1.3 & 1.5 LTR.		73-83	230
L4	1.3 LTR.		1986	215
L4	1.3, 1.5 LTR.		1987	337
L4	1.3, 1.5 LTR. w/TEC Ign.	F/inj. Eng.	1985	352**
L4	1.3, 1.5 LTR. w/HIT. Ign.		84-85	215
L4	1.5 LTR. SOHC		88-91	370
L4	1.5 LTR.		1986	337

** This set comes with a 44" Coil Lead with Cover.



CY.	APPLICATION	NOTES	YEAR	STI #
-----	-------------	-------	------	-------

HONDA - con't**CIVIC CRX**

L4	1.3, 1.5 LTR. w/HIT. Ign.		84-85	215
L4	1.5 LTR.	Calif.	86-87	337
L4	1.5 LTR. w/TEC Ign.	F/inj. Eng.	85-87	352*
L4	1.5, 1.6 LTR.		88-91	370

CIVIC CX

L4	1.5 LTR. SOHC		92-95	370
L4	1.6 LTR. SOHC		96-00	473

CIVIC Del Sol

L4	1.5 LTR. SOHC (D15B7)		93-95	370
L4	1.6 LTR. SOHC (D16Y7)		96-97	473
L4	1.6 LTR. DOHC V-TEC (B16A2, B16A3)		94-97	370
L4	1.6 LTR. SOHC V-TEC (D16Y8, D16Z6)		93-97	473

CIVIC DX

L4	1.5 LTR. SOHC		88-95	370
L4	1.5 LTR.		86-87	337
L4	1.6 LTR. SOHC		96-00	473
L4	1.7 LTR.	Direct Ignition Coil Unit (4 Required)	01-05	5007

CIVIC EX

L4	1.6 LTR. SOHC V-TEC (D16Y8, D16Z6)		92-00	473
L4	1.6 LTR. SOHC V-TEC (D16A6)		1991	370
L4	1.7 LTR.	Direct Ignition Coil Unit (4 Required)	01-05	5007

CIVIC GX

L4	1.7 LTR.	Direct Ignition Coil Unit (4 Required)	01-05	5007
----	----------	--	-------	------

CIVIC HX

L4	1.6 LTR. SOHC V-TEC-2		96-00	473
L4	1.7 LTR.	Direct Ignition Coil Unit (4 Required)	01-05	5007

CIVIC LX

L4	1.5 LTR. SOHC		88-95	370
L4	1.6 LTR. SOHC		96-00	473
L4	1.7 LTR.	Direct Ignition Coil Unit (4 Required)	01-05	5007

CIVIC Si

L4	1.5 LTR.	F/inj. Eng.	86-87	352*
L4	1.6 LTR. DOHC V-TEC		99-00	370
L4	1.6 LTR. SOHC V-TEC (D16Z6)		92-95	473
L4	1.6 LTR. SOHC V-TEC (D16A6)		89-91	370

CIVIC VX

L4	1.5 LTR. SOHC V-TEC		92-95	473
----	---------------------	--	-------	-----

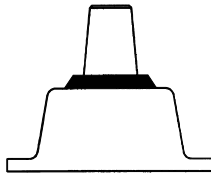
CIVIC WAGON, WAGOVAN

L4	1.5 LTR.		86-87	337
L4	1.5 LTR.		84-85	215
L4	1.5 LTR. w/TEC Ign.	F/inj. Eng.	1985	352*
L4	1.5 LTR.		75-83	230
L4	1.5, 1.6 LTR.		88-91	370

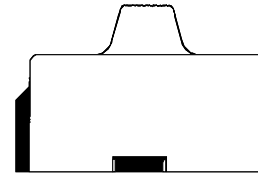
* This set comes with a 44" Coil Lead with Cover.

CY.	APPLICATION	NOTES	YEAR	STI #
HONDA - con't				
CR-V				
L4	2.0 LTR. DOHC		97-01	384NC
ODYSSEY				
L4	2.2 LTR. SOHC		95-97	384
L4	2.3 LTR. SOHC		1998	473
PASSPORT				
L4	2.6 LTR. SOHC		94-96	372
V6	3.2 LTR. SOHC		94-95	620
PILOT				
V6	3.5 LTR. SOHC	Direct Ignition Coil Unit (6 Required)	03-06	5007
PRELUDE				
L4	1.8 LTR.		83-87	273
L4	1.8 LTR.		79-82	230
L4	2.0 LTR. SOHC	Carb. Eng.	88-90	364
L4	2.2 LTR. DOHC V-TEC		97-01	626
L4	2.2 LTR. SOHC		92-96	384
L4	2.3 LTR. DOHC		95-96	384
PRELUDE Si				
L4	2.0, 2.1 LTR. (B20A5, B21A1)	F/inj. Eng.	88-91	365
L4	2.0 LTR.	F/inj. Eng.	85-87	363
L4	2.2 LTR. DOHC V-TEC		93-96	626
L4	2.3 LTR. DOHC		92-96	384
RIDGELINE				
V6	3.5 LTR. SOHC	Direct Ignition Coil Unit (6 Required)	2006	5007

HONDA COIL COVERS



USED ON;
STI #337, #364, #365, #384, #619, #626, #665



USED ON;
STI #230, #258, #273, #352



CY.	APPLICATION	NOTES	YEAR	STI #
-----	-------------	-------	------	-------

HUMMER

H2

V8	6.0 LTR. (364)		03-06	719
----	----------------	--	-------	-----

HYUNDAI

XG300

V6	3.0 LTR.		2001	785**
V6	3.0 LTR.	Direct Ignition Coil Unit (3 Required)	2001	5032

XG350

V6	3.5 LTR. From September 2002 on	Set equipped with Screw-on Coil Ends	02.09-05	784***
V6	3.5 LTR. From September 2002 on	Direct Ignition Coil Unit (3 Required)	02.09-05	5040
V6	3.5 LTR. Up to Aug 2002 only	Set equipped with Push-on Coil Ends	02-02.08	785**
V6	3.5 LTR. Up to Aug 2002 only	Direct Ignition Coil Unit (3 Required)	02-02.08	5032

ACCENT

L4	1.5 LTR. DOHC	From 12/9/96	96-97	646
L4	1.5 LTR. SOHC 12-Valve		95-02	601
L4	1.5 LTR. DOHC	Up to 12/9/96	up to 96	645^
L4	1.6 LTR. DOHC		01-04	646

ELANTRA

L4	1.6 LTR.		92-95	425
L4	1.8 LTR.		93-95	425
L4	1.8 LTR. DOHC		96-99	647
L4	1.8 LTR. DOHC	#27301-23003 Coil Pack (1 Req)	96-99	5039
L4	2.0 LTR. DOHC		99-04	647
L4	2.0 LTR. DOHC	#27301-23003 Coil Pack (1 Req)	99-00	5039

EXCEL

L4	1.5 LTR. SOHC	This set contains a 7" Coil Lead	90-94	375
L4	1.5 LTR. SOHC	This set contains a 28" Coil Lead	86-89	187

PONY (Canada)

L4	1.4, 1.6 LTR.		83-88	312
----	---------------	--	-------	-----

SANTA FE

L4	2.4 LTR.		01-04	728*
L4	2.4 LTR.	Direct Ignition Coil Unit (2 Required)	01-04	5024
V6	2.7 LTR.		01-05	700
V6	3.5 LTR.	Direct Ignition Coil Unit (3 Required)	03-05	5040
V6	3.5 LTR.		03-05	784***

* This set contains two leads. Purchase two # 5024 coils for a complete tune-up.
 ** This set contains three leads. Purchase three # 5032 coils for a complete tune-up.
 *** This set contains three leads. Purchase three # 5040 coils for a complete tune-up.
 ^ This set has only two leads. The other cylinders use Direct Ignition (N/A).



CY.	APPLICATION	NOTES	YEAR	STI #
-----	-------------	-------	------	-------

HYUNDAI - con't

SCOUBE

L4	1.5 LTR. SOHC incl. Turbo		93-95	601
L4	1.5 LTR. SOHC		91-92	375

SONATA

L4	2.0 LTR. DOHC		92-98	425
L4	2.4 LTR.		99-05	728*
L4	2.4 LTR.	Direct Ignition Coil Unit (2 Required)	99-05	5024
L4	2.4 LTR. SOHC		89-91	314
V6	2.5 LTR. DOHC		99-01	700
V6	2.7 LTR.		02-05	700
V6	3.0 LTR. SOHC		90-98	310

STELLAR (Canada)

L4	1.5, 1.6 LTR.		85-86	312
L4	2.0 LTR.		1987	314

TIBURON

L4	1.8 LTR. DOHC		1997	647
L4	1.8 LTR. DOHC	#27301-23003 Coil Pack (1 Req)	1997	5039
L4	2.0 LTR. DOHC		03-04	647
L4	2.0 LTR. DOHC		97-01	647
L4	2.0 LTR. DOHC	#27301-23003 Coil Pack (1 Req)	97-01	5039
V6	2.7 LTR.		03-04	700

TUCSON

L4	2.0 LTR.		05-06	647
V6	2.7 LTR.		2005	T.B.A.

* This set contains two leads. Purchase two # 5024 coils for a complete tune-up.



CY.	APPLICATION	NOTES	YEAR	STI #
-----	-------------	-------	------	-------

INFINITI

FX35				
V6	3.5 LTR.	Direct Ignition Coil Unit (6 Required)	03-06	5027
G20				
L4	2.0 LTR. DOHC (SR20DE)		1999	421
L4	2.0 LTR. DOHC (SR20DE)		91-96	421
G35				
V6	3.5 LTR.	Direct Ignition Coil Unit (6 Required)	03-06	5027
I35				
V6	3.5 LTR.	Direct Ignition Coil Unit (6 Required)	02-04	5028
I30				
V6	3.0 LTR. Right Bank (A33 Chassis)	Ign. Coil Unit (3 Req) from 7/99 on	07.99-01	5035**
V6	3.0 LTR. Left Bank (A33 Chassis)	Ign. Coil Unit (3 Req) from 7/99 on	07.99-01	5036***
V6	3.0 LTR. Right Bank (A32 Chassis)	Ign. Coil Unit (3 Req) up to 6/99	96-99.06	5000
V6	3.0 LTR. Left Bank (A32 Chassis)	Ign. Coil Unit (3 Req) up to 6/99	96-99.06	5001
J30				
V6	3.0 LTR. (VG30DE)	Direct Ignition Coil Only (6 Required)	93-97	5029*
M30				
V6	3.0 LTR. DOHC (VG30E)		90-92	284B
M35				
V6	3.5 LTR.	Direct Ignition Coil Unit (6 Required)	2006	5027
QX4				
V6	3.3 LTR. (VG33E)		97-00	671
V6	3.5 LTR. From July 2001 on	Direct Ignition Coil Unit (6 Required)	01.07-03	5028
QX56				
V8	5.6 LTR. DOHC (VK56DE)	Direct Ignition Coil Unit (8 Required)	04-08	5049

* This Direct Ignition Coil does not include the connector boot.

** Firewall Side

*** Radiator Side

CY.	APPLICATION	NOTES	YEAR	STI #
ISUZU				
AMIGO				
L4	2.2 LTR.		98-00	717
L4	2.3 LTR.		89-93	307
L4	2.6 LTR.		89-94	372
ASCENDER				
V8	5.3 LTR. (325)		05-06	757
V8	5.3 LTR. (323)		03-04	757
HOMBRE				
L4	2.2 LTR.		98-01	714
L4	2.2 LTR.		96-97	637
V6	4.3 LTR.		97-01	699
I-MARK				
L4	1.5 LTR. Turbo		87-89	298
L4	1.5 LTR.		85-89	299
L4	1.6 LTR.		1989	462
L4	1.8 LTR. (G180Z)		81-85	199
IMPULSE				
L4	1.6 LTR. Turbo		91-92	463
L4	1.6 LTR.		90-91	462
L4	1.8 LTR.		1992	462
L4	1.9 LTR.		83-86	199
L4	2.0 LTR. Turbo (4ZC1)		85-89	332
L4	2.3 LTR.		88-89	332
OASIS				
L4	2.2 LTR. SOHC		96-97	384
L4	2.3 LTR. SOHC		98-99	473
PICKUP				
L4	1.8 LTR. (G180Z)		81-82	199
L4	1.9 LTR. (G200Z)		83-87	199
L4	2.3 LTR. (4ZD1)		86-95	307
L4	2.6 LTR.		88-95	372
V6	3.1 LTR.		91-94	412
RODEO				
L4	2.2 LTR.		98-03	717
L4	2.6 LTR.		91-97	372
V6	3.1 LTR.		91-92	412
V6	3.2 LTR. (6VD1)		93-96	620
STYLUS				
L4	1.6 LTR. SOHC		91-93	413
L4	1.6 LTR. DOHC		1991	462
L4	1.8 LTR.		92-93	462
TROOPER				
L4	1.9 LTR. (G200Z)		84-85	199
L4	2.3 LTR.		86-87	307
L4	2.6 LTR.		88-91	372
V6	2.8 LTR.		89-91	412
V6	3.2 LTR. DOHC (W)		92-95	617
V6	3.2 LTR. SOHC (V)		92-95	614



CY.	APPLICATION	NOTES	YEAR	STI #
-----	-------------	-------	------	-------

JAGUAR**ALL (up to 1971)**

L6	6-Cylinder Models		up to 71	149
----	-------------------	--	----------	-----

XJ6

L6	3.6, 4.0 LTR.		87-94	323
L6	4.2 LTR.		69-87	149

XJRS, XJS, XJ12, V12

L6	4.0 LTR.		93-94	323
V12	5.3 LTR.		85-91	338
V12	5.3 LTR.		71-84	150
V12	5.3, 6.0 LTR.	With 9 Straight Plug Boots	92-94	476
V12	6.0 LTR.	With All Angled Plug Boots	95-96	627

XJS (Marelli Ign.)

V12	5.3 LTR.	With Marelli Ignition System	89-90	476
-----	----------	------------------------------	-------	-----

XKE

V12	5.3 LTR.		72-74	150
-----	----------	--	-------	-----

JEEP**CJ SERIES**

L4	2.5 LTR. (151)	Fits only 2bbl. GM eng. for 1983	80-83	498
----	----------------	----------------------------------	-------	-----

CHEROKEE, WAGONEER

L4	2.5 LTR. (150)		91-00	761
L4	4.0 LTR. (242)	Made with OEM RED Silicone Wire	91-99	625

COMANCHE

L4	2.5 LTR. (150)		91-92	761
L6	4.0 LTR. (242)	Made with OEM RED Silicone Wire	91-92	625

GRAND CHEROKEE

L6	4.0 LTR. (242)	Made with OEM RED Silicone Wire	93-00	625
V6	3.7 LTR.	Direct Ignition Coil Unit (6 Required)	05-06	5041
V8	4.7 LTR.	Direct Ignition Coil Unit (8 Required)	99-06	5041
V8	5.2 LTR. (318)		93-98	759
V8	5.7 LTR. (345)		2005	797
V8	5.9 LTR. (360)		1998	759

GRAND WAGONEER

V8	5.2 LTR. (318)		1993	759
----	----------------	--	------	-----

LIBERTY

L4	2.4 LTR. (148)		02-05	801
V6	3.7 LTR.	Direct Ignition Coil Unit (6 Required)	02-06	5041

WRANGLER

L4	2.4 LTR. (148)		03-06	801
L4	2.5 LTR. (150)		91-02	761
L6	4.0 LTR. (242)	Made with OEM RED Silicone Wire	91-99	625

CY.	APPLICATION	NOTES	YEAR	STI #
KIA				
AMANTI				
V6	3.5 LTR.	Direct Ignition Coil Unit (3 Required)	04-05	5040
V6	3.5 LTR.		04-05	784 ^{^^^}
OPTIMA				
L4	2.4 LTR. DOHC		01-05	728 ^{***}
L4	2.4 LTR. DOHC	Direct Ignition Coil Unit (2 Required)	01-05	5024
V6	2.5 LTR. DOHC		2001	700
V6	2.7 LTR. DOHC		02-06	700
RIO				
L4	1.5 LTR. DOHC		01-02	724
L4	1.6 LTR.		03-05	724
SEDONA				
V6	3.5 LTR. DOHC		02-05	758 [^]
V6	3.5 LTR. DOHC	Direct Ignition Coil Unit (3 Required)	02-05	5032
SEPHIA				
L4	1.6 LTR. DOHC		95-97	460
L4	1.6 LTR. SOHC		93-97	640
L4	1.8 LTR. DOHC		98-01	684 ^{**}
L4	1.8 LTR. DOHC	Direct Ignition Coil Unit (2 Required)	98-01	5030
L4	1.8 LTR. DOHC		95-97	460
SORENTO				
V6	3.5 LTR.	Direct Ignition Coil Unit (3 Required)	03-06	5044
V6	3.5 LTR. DOHC		03 on	758 ^{^^}
SPECTRA				
L4	1.8 LTR.		00-04	684 ^{**}
L4	1.8 LTR.	Direct Ignition Coil Unit (2 Required)	00-04	5030
L4	2.0 LTR. DOHC		05-06	647
SPORTAGE				
L4	2.0 LTR. DOHC		05-06	647
L4	2.0 LTR. DOHC		95-02	645 [*]
L4	2.0 LTR. DOHC	Direct Ignition Coil Unit (2 Required)	95-02	5031
L4	2.0 LTR. SOHC		95-97	636
V6	2.7 LTR.		05-06	T.B.A.

* This set contains two leads. Purchase two # 5031 coils for a complete tune-up.

** This set contains two leads. Purchase two # 5030 coils for a complete tune-up.

*** This set contains two leads. Purchase two # 5024 coils for a complete tune-up.

[^] This set contains three leads. Purchase three # 5032 coils for a complete tune-up.

^{^^} This set has three leads. Purchase three # 5044 coils for a complete tune-up.

^{^^^} This set has three leads. Purchase three # 5040 coils for a complete tune-up.



CY.	APPLICATION	NOTES	YEAR	STI #
-----	-------------	-------	------	-------

LAND ROVER

DEFENDER

V8	3.9 LTR.		93-95	368
V8	4.0 LTR.		1997	663

DISCOVERY

V8	3.9 LTR.	Not for Distributor-less Ign.	94-95	368
V8	4.0 LTR.	For use with Distributor-less Ign.	96-99	663

DISCOVERY II

V8	4.0 LTR.	With Screw-On Coil Terminals	99-02	721
V8	4.6 LTR.	With Screw-On Coil Terminals	03-04	721

FREELANDER

V6	2.5 LTR. DOHC	OE # NGC104250L (Cyl 1, 3 & 5)	02-05	723*
V6	2.5 LTR. DOHC	Direct Ignition Coil Only	02-05	11859T
V6	2.5 LTR. DOHC	Direct Ign. Connector (Cyl 2, 4 & 6)	02-05	13331A1.8**

RANGE ROVER

V8	3.5, 3.9, 4.2 LTR.		87-94	368
V8	3.9 LTR.		1995	663
V8	4.0, 4.6 LTR.	With Screw-On Coil Terminals	99-02	721
V8	4.0 LTR.		96-98	663
V8	4.2 LTR.	Classic Model	1995	791
V8	4.4 LTR. (B44, M62)	Direct Ignition Coil Unit (8 Required)	02 on	11860T
V8	4.6 LTR.		96-98	663

* This set has only three leads. The other three cylinders (Cyl 2, 4 & 6) use Direct Ignition (#11859T & #13331A1.8).

** Use 3 Direct Ignition Unit Connectors for Cyl 2, 4, & 6 (3 req'd per vehicle) with Set #723 for a complete tune-up.

CY.	APPLICATION	NOTES	YEAR	STI #
LEXUS				
ES250				
V6	2.5 LTR. (2VZFE)		90-91	446
ES300				
V6	3.0 LTR. (1MZFE)	Direct Ignition Coil Unit (6 Required)	02-03	5057
V6	3.0 LTR. (1MZFE) V.V.T.	Direct Ignition Coil Unit (6 Required)	99-01	5057~
V6	3.0 LTR. (1MZFE)	OE Wire Set Direct from Japan	96-01	652 OE^
V6	3.0 LTR. (1MZFE)	Three leads without Harness	96-01	652*
V6	3.0 LTR. (1MZFE)	Direct Ignition Coil Unit (3 Required)	96-01	5047**
V6	3.0 LTR. (3VZFE)		92-93	440
ES350				
V6	3.5 LTR. DOHC	Direct Ignition Coil Unit (6 Required)	2007	5052
GS300				
L6	3.0 LTR.		98-04	725^^
L6	3.0 LTR.		96-97	726
L6	3.0 LTR. (2JZGE)		93-95	489
GS430				
V8	4.3 LTR. DOHC	Direct Ignition Coil Unit (8 Required)	01-06	5051
GX470				
V8	4.7 LTR. DOHC	Direct Ignition Coil Unit (8 Required)	03-06	5051
IS300				
L6	3.0 LTR.		01-05	725^^
LS400				
V8	4.0 LTR.		90-97	727
LS430				
V8	4.3 LTR. DOHC	Direct Ignition Coil Unit (8 Required)	01-06	5051
LX450				
L6	4.5 LTR. (1FZFE)		96-97	490
LX470				
V8	4.7 LTR. DOHC	Direct Ignition Coil Unit (8 Required)	98-04	5051
RX300				
V6	3.0 LTR. (1MZFE)	Direct Ignition Coil Unit (6 Required)	99-03	5057
RX350				
V6	3.5 LTR. DOHC	Direct Ignition Coil Unit (6 Required)	2007	5052
SC300				
L6	3.0 LTR.		98-00	725^^
L6	3.0 LTR. (2JZGE)		92-97	489
SC400				
V8	4.0 LTR. (1UZFE)		92-97	727
SC430				
V8	4.3 LTR. DOHC	Direct Ignition Coil Unit (8 Required)	02-06	5051

* This set contains three leads. Purchase three # 5047 coils for a complete tune-up.

** Excluding Variable Valve Timing.

^ This set contains three leads assembled in a harness. Purchase three # 5047 coils for a complete tune-up.

^^ This set has only three leads. The other three cylinders use Direct Ignition.

~ Variable Valve Timing



CY.	APPLICATION	NOTES	YEAR	STI #
-----	-------------	-------	------	-------

LINCOLN

CONTINENTAL

V6	3.8 LTR. (232)		91-94	736
V8	5.8 LTR. (351)		1980	698

MARK VI

V8	5.8 LTR. (351)		1980	698
----	----------------	--	------	-----

MARK VII

V8	5.0 LTR. (302)		91-92	698
V8	5.0 LTR. (302) LSC		85-90	698

NAVIGATOR

V8	5.4 LTR. SOHC ONLY	Direct Ignition Coil Unit (8 Required)	98-99	5011^
----	---------------------------	--	-------	-------

TOWNCAR

V8	4.6 LTR. F/inj. Eng.	Direct Ignition Coil Unit (8 Required)	98-06	5011^
V8	4.6 LTR.		96-98	676
V8	4.6 LTR.		91-95	468

MAZDA

3

L4	2.0, 2.3 LTR. DOHC	Direct Ignition Coil Unit (4 Required)	04-06	5053
----	--------------------	--	-------	------

6

L4	2.3 LTR.		03-05	798
----	----------	--	-------	-----

323

L4	1.6 LTR.		90-95	376
L4	1.6 LTR. Turbo		88-89	460
L4	1.6 LTR.		86-89	306

616, 618

L4	1.6, 1.8 LTR.		71-72	315
----	---------------	--	-------	-----

626

L4	2.0 LTR. DOHC		98-02	651
L4	2.0 LTR. DOHC		93-97	461
L4	2.0 LTR. incl. Turbo		79-87	315
L4	2.2 LTR. SOHC		88-92	380
L4	2.2 LTR. SOHC Turbo		88-91	334
V6	2.5 LTR. DOHC		98-02	669
V6	2.5 LTR. DOHC		96-97	608
V6	2.5 LTR. DOHC		93-95	466

808

L4	1.6 LTR.		72-74	315
----	----------	--	-------	-----

929

V6	3.0 LTR. DOHC		92-95	450
V6	3.0 LTR. DOHC		90-91	374
V6	3.0 LTR. SOHC		88-91	340

^ Order STI # 5011B if you need the Connector and Spring Only.



CY.	APPLICATION	NOTES	YEAR	STI #
MAZDA - con't				
B1600 Pickup				
L4	1.6 LTR.		72-74	315
B2000 Pickup				
L4	2.0 LTR.		86-87	334
L4	2.0 LTR.		79-84	315
B2200 Pickup				
L4	2.2 LTR.		87-93	334
B2300 Pickup				
L4	2.3 LTR.		01-05	789
L4	2.3 LTR.		95-97	696
L4	2.3 LTR.		1994	606
B2500 Pickup				
L4	2.5 LTR.		98-01	696
B2600 Pickup				
L4	2.6 LTR.		87-88	312
B2600i Pickup				
L4	2.6 LTR.		89-93	382
B3000 Pickup				
V6	3.0 LTR.		01-05	694
V6	3.0 LTR.	Coil Pack (1 Required)	01-07	5055
V6	3.0 LTR.		98-00	691
V6	3.0 LTR.		95-97	664
V6	3.0 LTR.		1994	605
B4000 Pickup				
V6	4.0 LTR.		03-06	692
V6	4.0 LTR.		97-00	675
V6	4.0 LTR.		94-96	480
V6	4.0 LTR. SOHC (E)		01-02	692
V6	4.0 LTR. SOHC (E)	Canada	2001	693
V6	4.0 LTR. OHV (X)		2002	675
GLC				
L4	1.5 LTR.		82-86	306
MIATA, MX5				
L4	1.6 DOHC		90-93	379
L4	1.8 LTR. DOHC		01-03	790*
L4	1.8 LTR. DOHC		94-00	379
MILLENNIA				
V6	2.5 LTR. DOHC		95-02	608

* This set has only two leads. The other cylinders use Direct Ignition (N/A).



CY.	APPLICATION	NOTES	YEAR	STI #
-----	-------------	-------	------	-------

MAZDA - con't

MPV

V6	2.5 LTR. (use with female coil GY01-18-100)	up to 10/17/00 (GY02-18-140)	00-00.10	720
V6	2.5 LTR. (use with male coil GY07-18-100)	from 10/18/00 (GY09-18-140)	00.10-01	787
V6	2.5 LTR. (male coil GY07-18-100)	from 10/18/00 Coil Pack (1 Required)	00.10-01	5055
L4	2.6 LTR.		89-94	382
V6	3.0 LTR.	For applications without Coil Lead	96-99	638
V6	3.0 LTR.	For applications with Coil Lead	89-95	340

MX3

L4	1.6 LTR. DOHC		94-95	460
L4	1.6 LTR. SOHC		92-93	376
V6	1.8 LTR. DOHC		94-95	609
V6	1.8 LTR. DOHC		92-93	465

MX6

L4	2.0 LTR. DOHC		93-97	461
L4	2.2 LTR. SOHC		88-92	380
L4	2.2 LTR. SOHC Turbo		88-92	334
V6	2.5 LTR. DOHC		96-97	608
V6	2.5 LTR. DOHC		93-95	466

NAVAJO

V6	4.0 LTR.		91-94	480
----	----------	--	-------	------------

PROTEGE

L4	1.5 LTR. DOHC		95-98	650
L4	1.6 LTR. DOHC		99-01	729*
L4	1.8 LTR.		99-00	690
L4	1.8 LTR. DOHC		95-98	460
L4	1.8 LTR. DOHC		90-94	378
L4	1.8 LTR. SOHC		90-94	376
L4	2.0 LTR. DOHC incl. Turbo		01-03	788**
L4	2.0 LTR. DOHC incl. Turbo	Direct Ignition Coil Unit (2 Required)	01-03	5038

PROTEGE 5

L4	2.0 LTR. DOHC		02-03	788**
L4	2.0 LTR. DOHC	Direct Ignition Coil Unit (2 Required)	02-03	5038

* This set has only two leads. The other cylinders use Direct Ignition (N/A).

** This set contains two leads. Purchase two # 5038 coils for a complete tune-up.



CY.	APPLICATION	NOTES	YEAR	STI #
-----	-------------	-------	------	-------

MAZDA - con't

ROTARY Pickup

L4	1.3 LTR.		74-77	181
----	----------	--	-------	-----

RX7

R2	1.1, 1.3 LTR.		79-85	181
R2	1.3 LTR. incl. Turbo		93-95	451
R2	1.3 LTR. incl. Turbo		86-92	339

RX-8

L4	1.3 LTR.	Ignition Coil Only (4 Required)	04-05	5045^
L4	1.3 LTR.		04-05	792

TRIBUTE

L4	2.0 LTR. DOHC		01-04	754
L4	2.0 LTR. DOHC	Coil Pack (1 Required)	01-04	5054
L4	2.3 LTR. DOHC	Direct Ignition Coil Unit (4 Required)	05-06	5053
V6	3.0 LTR. DOHC	Direct Ignition Coil Unit (6 Required)	01-06	5048

^ Coil Used in Conjunction with #792 Wire Set.



CY.	APPLICATION	NOTES	YEAR	STI #
-----	-------------	-------	------	-------

MERCEDES-BENZ

FOR CROSS REFERENCE LIST ON MERCEDES-BENZ SEE PAGE # 100

180

L4	1.9 LTR.	With Brown, Non-shielded Plug Conn	57-63	111
----	----------	------------------------------------	-------	-----

190

L4	1.9 LTR.	With Brown, Non-shielded Plug Conn	56-65	111
----	----------	------------------------------------	-------	-----

190E

L4	2.3 LTR. (M102.985)		91-93	113F
L4	2.3 LTR.	Excluding 16-Valve	84-88	113F
L4	2.3 LTR. 16-Valve (M102.983)		86-87	113N
L6	2.6 LTR. (M103.942)		87-93	113L/37

200

L4	2.0 LTR.	Carb. Eng.	66-68	111
----	----------	------------	-------	-----

220

L4	2.2 LTR.	Carb. Eng.	68-73	111
----	----------	------------	-------	-----

230

L4	2.3 LTR.	With Two angled Shielded Plug Conn	74-78	113E
L6	2.3 LTR.	Carb. Eng.	65-69	112

250

L6	2.5 LTR.	With Brown, Non-shielded Plug Conn	66-69	112
L6	2.5, 2.8 LTR.	With One angled Shielded Plug Conn	70-72	113

260E

L6	2.6 LTR. (M103.940)		87-89	113L/37
----	---------------------	--	-------	---------

280

L6	2.8 LTR.	Carb. Eng.	73-76	113B
----	----------	------------	-------	------

280C

L6	2.8 LTR.	Carb. Eng.	73-76	113B
----	----------	------------	-------	------

280CE, 280E

L6	2.8 LTR.	With SAE type Dist. Terminals	1981	113K
L6	2.8 LTR.		77-80	113B

280S

L6	2.8 LTR.	Carb. Eng.	1976	113B
L6	2.8 LTR.	Carb. Eng.	69-71	113A

280SE

L6	2.8 LTR.	F/inj. Eng.	77-80	113B
L6	2.8 LTR.	F/inj. Eng.	68-72	113A
V8	3.5, 4.5 LTR.	With Push-On Dist. Terminals	69-73	113C/8

280SEL

V8	4.5 LTR.	F/inj. Eng.	72-73	113C/8
----	----------	-------------	-------	--------

300CE

L6	3.0 LTR. (M103.981)		88-89	113L/37
L6	3.0 LTR. 24-Valve (M104.980)		90-92	113S/39
L6	3.2 LTR. (M104.992)		1993	483*
L6	3.2 LTR. (M104.992)	Conn. for Direct Ignition Unit (3 Required)	1993	483B
L6	3.2 LTR. (M104.992)	Direct Ignition Coil Only (3 Required)	1993	5004

* This set contains three leads and three coil connectors (#483B). Purchase three # 5004 coils for a complete tune-up.



CY.	APPLICATION	NOTES	YEAR	STI #
-----	-------------	-------	------	-------

MERCEDES-BENZ - con't

300E

L6	2.6 LTR. (M103.940)		90-92	113L/37
L6	2.8 LTR. (M104.942)		1993	483E*
L6	2.8 LTR. (M104.942)	Conn. for Direct Ignition Unit (3 Required)	1993	483B
L6	2.8 LTR. (M104.942)	Direct Ignition Coil Only (3 Required)	1993	5004
L6	3.0 LTR. (M103.983, M103.985)		86-93	113L/37
L6	3.2 LTR. (M104.992)		1993	483*
L6	3.2 LTR. (M104.992)	Conn. for Direct Ignition Unit (3 Required)	1993	483B
L6	3.2 LTR. (M104.992)	Direct Ignition Coil Only (3 Required)	1993	5004

300SE

L6	3.0 LTR. (M103.981)		88-91	113L/37
L6	3.2 LTR. (M104.990)		92-93	113S/39

300SEL

L6	3.0 LTR. (M103.981)		88-91	113L/37
V8	3.5, 4.5 LTR.	With Push-On Dist. Terminals	70-73	113C/8
V8	4.5 LTR.	With Screw-On Dist. Terminals	1973	113D/8

300SL

L6	3.0 LTR. (M104.981)		90-93	113S/39
L6	3.0 LTR.	With Brown, Non-shielded Plug Conn	61-63	112

300TE

L6	3.0 LTR. (M103.983, M103.985)		88-93	113L/37
L6	3.2 LTR. (M104.992)	For Models Utilizing a Distributor Cap	1993	113S/39
L6	3.2 LTR. (M104.992) Models without Cap Only	Fits Chassis From 12-047395 on	1993	483*
L6	3.2 LTR. (M104.992) Models without Cap Only	Conn. for Direct Ignition Unit (3 Required)	1993	483B
L6	3.2 LTR. (M104.992) Models without Cap Only	Direct Ignition Coil Only (3 Required)	1993	5004

350SL

V8	4.5 LTR.	With Push-On Dist. Terminals	1972	113C/8
----	----------	------------------------------	------	---------------

380SE, 380SEC

V8	3.8 LTR. (M116.962)	This set contains a 36" Coil Lead	82-85	113G/8
----	---------------------	-----------------------------------	-------	---------------

380SEL

V8	3.8 LTR. (M116.961, M116.963)	This set contains a 36" Coil Lead	81-83	113G/8
----	-------------------------------	-----------------------------------	-------	---------------

380SL

V8	3.8 LTR. (M116.960, M116.962)	This set contains a 36" Coil Lead	81-85	113G/8
----	-------------------------------	-----------------------------------	-------	---------------

380SLC

V8	3.8 LTR.	This set contains a 36" Coil Lead	1981	113G/8
----	----------	-----------------------------------	------	---------------

400E

V8	4.2 LTR. (M119.971, M119.975)		92-93	113R^
----	-------------------------------	--	-------	--------------

400SE, 400SEL

V8	4.2 LTR. (M119.971, M119.975)		92-93	113R^
----	-------------------------------	--	-------	--------------

420SEL

V8	4.2 LTR. (M116.965)		86-91	113M
----	---------------------	--	-------	-------------

* This set contains three leads and three coil connectors (#483B). Purchase three # 5004 coils for a complete tune-up.

^ Set contains 3 Coil leads, only 2 Leads needed. Choose the 2 leads that yield the best fit.



CY.	APPLICATION	NOTES	YEAR	STI #
-----	-------------	-------	------	-------

MERCEDES-BENZ - con't

450SE/SEL, 450SL/SLC				
V8	4.5 LTR. (M117.985, M117.986)	With Screw-On Dist. Terminals	76-80	113D/8
V8	4.5 LTR.	With Screw-On Dist. Terminals	73-75	113D/8
V8	4.5 LTR.	With Push-On Dist. Terminals	73-75	113C/8
V8	6.9 LTR. (M100.985)	SEL Model Only	77-79	113U
500E				
V8	5.0 LTR. (M119.972, M119.974)		92-93	113R^
500SEC, 500SEL				
V8	5.0 LTR. (M119.970)		92-93	113R^
V8	5.0 LTR. (M117.963)	This set contains a 36" Coil Lead	84-85	113G/8
500SL				
V8	5.0 LTR. (M119.960, M119.972)		90-93	113R^
560SEC, 560SEL				
V8	5.6 LTR. (M117.968)		86-91	113M
560SL				
V8	5.6 LTR. (M117.967)		86-89	113Q
600, LIMO				
V8	6.3 LTR. (M100.980)		66-72	113P
600SEC/SEL, 600SL				
V12	6.0 LTR. (M120.980, M120.981)		92-93	113V
C220				
L4	2.2 LTR. (M111.961)		94-96	482
C230				
L4	1.8 LTR. (M271.948)	Direct Ignition Coil Unit (4 Required)	03-06	5019
L4	2.3 LTR. (M111.981)	Direct Ignition Coil Unit (4 Required)	2002	5018
L4	2.3 LTR. (M111.974, M111.975)		97-01	642**
L4	2.3 LTR. (M111.974, M111.975)	Conn. for Direct Ignition Unit (2 Required)	97-01	483B
L4	2.3 LTR. (M111.974, M111.975)	Direct Ignition Coil Only (2 Required)	97-01	5004
C240				
V6	2.6 LTR. (M112.912)		01 on	643
C280				
V6	2.8 LTR. DOHC (M112.920)		98 on	643
L6	2.8 LTR. (M104.941)	From Eng. #011794	96-97	483*
L6	2.8 LTR. (M104.941)	Up to Eng. #011793	94-96	483E*
L6	2.8 LTR. (M104.941)	Conn. for Direct Ignition Unit (3 Required)	94-97	483B
L6	2.8 LTR. (M104.941)	Direct Ignition Coil Only (3 Required)	94-97	5004
C32 AMG				
V6	3.2 LTR. (M112.961)		01 on	643
C320				
V6	3.2 LTR. (M112.946)		01 on	643

* This set contains three leads and three coil connectors (#483B). Purchase three # 5004 coils for a complete tune-up.

** This set contains two leads and two coil connectors (#483B). Purchase two #5004 coils for a complete tune-up.

^ Set contains 3 Coil leads, only 2 Leads needed. Choose the 2 leads that yield the best fit.

CY.	APPLICATION	NOTES	YEAR	STI #
-----	-------------	-------	------	-------

MERCEDES-BENZ - con't

C36				
L6	3.6 LTR. (M104.941)	From Eng. #011794	96-97	483*
L6	3.6 LTR. (M104.941)	Up to Eng. #011793	95-96	483E*
L6	3.6 LTR. (M104.941)	Conn. for Direct Ignition Unit (3 Required)	95-97	483B
L6	3.6 LTR. (M104.941)	Direct Ignition Coil Only (3 Required)	95-97	5004
C43 AMG				
V8	4.3 LTR. SOHC (M113.944)		98-00	661
CL500				
V8	5.0 LTR. (M113.960)		00 on	661
V8	5.0 LTR. (M119.980)	Conn. for Direct Ignition Unit (8 Required)	98-99	483B
CL55 AMG				
V8	5.5 LTR. SOHC (M113.986)		01-05	661
CLK320				
V6	3.2 LTR. DOHC (M112.940)		98 on	643
CLK430				
V8	4.3 LTR. (M113.943)		99 on	661
CLK500				
V8	5.0 LTR. SOHC (M113.968)		03-06	661
CLK55 AMG				
V8	5.5 LTR. (M113.984)		01 on	661
CLS500				
V8	5.0 LTR. SOHC (M113.967)		2006	661
CLS55 AMG				
V8	5.5 LTR. SOHC (M113.990)		2006	661
E300				
L6	2.8 LTR. (M104.942)		1993	483*
L6	2.8 LTR. (M104.942)	Conn. for Direct Ignition Unit (3 Required)	1993	483B
L6	2.8 LTR. (M104.942)	Direct Ignition Coil Only (3 Required)	1993	5004
E320				
V6	3.2 LTR. (M112.941)		98 on	643
L6	3.2 LTR. (M104.995, M104.992)	From Eng. #047395	96-97	483*
L6	3.2 LTR. (M104.995, M104.992)	Up to Eng. #047394	94-95	483E*
L6	3.2 LTR. (M104.995, M104.992)	Conn. for Direct Ignition Unit (3 Required)	94-97	483B
L6	3.2 LTR. (M104.995, M104.992)	Direct Ignition Coil Only (3 Required)	94-97	5004
E420				
V8	4.2 LTR. (M119.985)	Conn. for Direct Ignition Unit (8 Required)	96-97	483B
V8	4.2 LTR. (M119.975)	Up to Eng. #017142	94-95	113R^
E430				
V8	4.3 LTR. (M113.940)		98 on	661
E500				
V8	5.0 LTR. SOHC (M113.967)		03-06	661
V8	5.0 LTR. (M119.974)		1994	113R^
E55 AMG				
V8	5.5 LTR. SOHC (M113.980, M113.990)	5.5 LTR. SOHC (M113.980, M113.990)	99-06	661

* This set contains three leads and three coil connectors (#483B). Purchase three # 5004 coils for a complete tune-up.

^ Set contains 3 Coil leads, only 2 Leads needed. Choose the 2 leads that yield the best fit.



CY.	APPLICATION	NOTES	YEAR	STI #
-----	-------------	-------	------	-------

MERCEDES-BENZ - con't

G500				
V8	5.0 LTR. SOHC (M113.962)		02-05	661
G55 AMG				
V8	5.5 LTR. SOHC (M113.982)		03-05	661
ML320				
V6	3.2 LTR. SOHC (M112.942)		98 on	643
ML350				
V6	3.7 LTR. SOHC (M112.970)		03-05	643
ML430				
V8	4.3 LTR. SOHC (M113.942)		99-01	661
ML500				
V8	5.0 LTR. SOHC (M113.965)		01-05	661
ML55 AMG				
V8	5.5 LTR. (M113.981)		00-03	661
R500				
V8	5.0 LTR. SOHC (M113.971)		2006	661
S320				
L6	3.2 LTR. (M104.994)	From Eng. #016469	96-00	483*
L6	3.2 LTR. (M104.994)	Up to Eng. #016468	94-96	483E*
L6	3.2 LTR. (M104.994)	Conn. for Direct Ignition Unit (3 Required)	94-00	483B
L6	3.2 LTR. (M104.994)	Direct Ignition Coil Only (3 Required)	94-00	5004
S420				
V8	4.2 LTR. (M119.981)	Conn. for Direct Ignition Unit (8 Required)	96-99	483B
V8	4.2 LTR. (M119.971)		94-95	113R^
S430				
V8	4.3 LTR. (M113.941)		00-06	661
S500				
V8	5.0 LTR. (M113.960)		00-06	661
V8	5.0 LTR. (M119.980)	Conn. for Direct Ignition Unit (8 Required)	96-99	483B
V8	5.0 LTR. (M119.970)		94-95	113R^
S55 AMG				
V8	5.5 LTR. SOHC (M113.986)		01-05	661
S600, SL600				
V12	6.0 LTR. (M120.980, M120.981)		94-95	113V
SL320				
L6	3.2 LTR. (M104.991)	From Eng. #005249	96-97	483*
L6	3.2 LTR. (M104.991)	Up to Eng. #005248	94-96	483E*
L6	3.2 LTR. (M104.991)	Conn. for Direct Ignition Unit (3 Required)	94-97	483B
L6	3.2 LTR. (M104.991)	Direct Ignition Coil Only (3 Required)	94-97	5004

* This set contains three leads and three coil connectors (#483B). Purchase three # 5004 coils for a complete tune-up.

^ Set contains 3 Coil leads, only 2 Leads needed. Choose the 2 leads that yield the best fit.

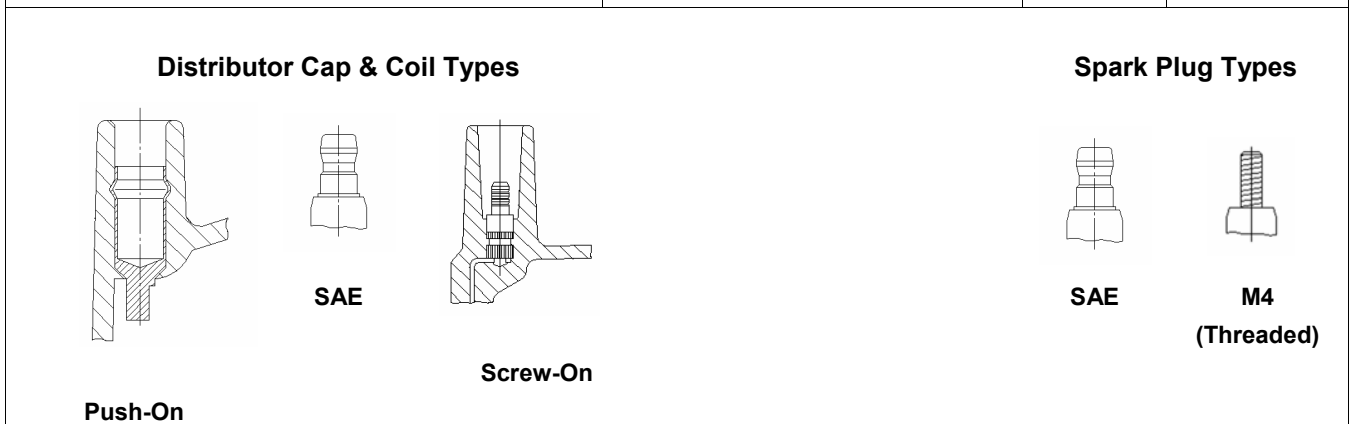
CY.	APPLICATION	NOTES	YEAR	STI #
-----	-------------	-------	------	-------

MERCEDES-BENZ - con't

SL500				
V8	5.0 LTR. (M113.961, M113.963)		99-06	661
V8	5.0 LTR. (M119.982)	Conn. for Direct Ignition Unit (8 Required)	96-98	483B
V8	5.0 LTR. (M119.972)		94-95	113R^
SL55 AMG				
V8	5.5 LTR. SOHC (M113.992)		03-06	661
SLK230				
L4	2.3 LTR. (M111.983)	Direct Ignition Coil Unit (4 Required)	01-04	5018
L4	2.3 LTR. DOHC (M111.973) Supercharged		98-00	642**
L4	2.3 LTR. DOHC (M111.973) Supercharged	Conn. for Direct Ignition Unit (2 Required)	98-00	483B
L4	2.3 LTR. DOHC (M111.973) Supercharged	Direct Ignition Coil Only (2 Required)	98-99	5004
SLK32 AMG				
V6	3.2 LTR. SOHC (M112.960)		02-04	643
SLK320				
V6	3.2 LTR. (M112.947)		01 on	643

MERCEDES-BENZ WIRE SET CONNECTIONS

STI #'S	SPARK PLUG	DIST.	COIL
111, 112, 113, 113A, 113C/8, 113E, 113P	M4 (Threaded)	Push-On	Push-On
113B, 113D/8, 113G/8, 113U	M4 (Threaded)	Screw-On	Push-On
113K, 113M, 113Q	M4 (Threaded)	SAE	Push-On
113F, 113L/37, 113N, 113R, 113S/39, 113V	SAE	SAE	Push-On
482, 483, 483E, 642, 643, 661	SAE	Screw on	None



** This set contains two leads and two coil connectors (#483B). Purchase two #5004 coils for a complete tune-up.

^ Set contains 3 Coil leads, only 2 Leads needed. Choose the 2 leads that yield the best fit.



CY.	APPLICATION	NOTES	YEAR	STI #
-----	-------------	-------	------	-------

MERCURY

BOBCAT				
L4	2.3 LTR.		77-80	267
L4	2.3 LTR.		75-76	129

CAPRI				
L4	1.6 LTR. incl. Turbo		91-94	460
L4	1.6, 2.0, 2.3 LTR.		71-76	129
L4	2.3 LTR.		77-86	267
V8	5.0 LTR. (302)		84-86	698

COLONY PARK				
V8	5.8 LTR. (351)	Canada	1985	698
V8	5.8 LTR. (351)		1981	698
V8	5.8 LTR. (351)	Calif.	79-80	698

COUGAR				
L4	2.0 LTR. (122)		99-02	741
L4	2.3 LTR.		81-86	267
V6	2.5 LTR. (152)		01-02	787
V6	2.5 LTR.	Coil Pack (1 Required)	2001	5055
V6	2.5 LTR. (152)		99-00	720
V6	3.8 LTR. (232)	Excluding Calif.	94-96	735
V6	3.8 LTR. (232)		91-93	735
V6	3.8 LTR. (232)	Excluding Supercharged Eng.	89-90	735
V8	5.0 LTR. (302)		91-93	763
V8	5.8 LTR. (351) (W)	Calif.	1979	698
V8	5.8 LTR. (351) (W)		1980	698

GRAND MARQUIS, MARQUIS				
L4	2.3 LTR.		83-86	267
V8	4.6 LTR. F/inj. Eng.	Direct Ignition Coil Unit (8 Required)	98-06	5011*
V8	4.6 LTR.		96-98	676
V8	4.6 LTR.		92-95	468
V8	5.8 LTR. (351)	Canada	88-89	698
V8	5.8 LTR. (351)	Canada	83-85	698
V8	5.8 LTR. (351)		81-82	698
V8	5.8 LTR. (351)	Excluding Calif.	1980	698
V8	5.8 LTR. (351) (H)	Calif.	1979	698

* Order STI # 5011B if you need the Connector and Spring Only.



CY.	APPLICATION	NOTES	YEAR	STI #
MERCURY - con't				
MARINER				
L4	2.3 LTR. DOHC	Direct Ignition Coil Unit (4 Required)	05-06	5053
V6	3.0 LTR. DOHC	Direct Ignition Coil Unit (6 Required)	05-06	5048
MILAN				
L4	2.3 LTR. DOHC	Direct Ignition Coil Unit (4 Required)	2006	5053
MONTEGO				
V6	3.0 LTR. DOHC	Direct Ignition Coil Unit (6 Required)	05-06	5048
MONTEREY				
V6	4.2 LTR.	Coil Pack (1 Required)	04-07	5055
MOUNTAINEER				
V8	4.6 LTR. F/inj. Eng.	Direct Ignition Coil Unit (8 Required)	02-06	5011*
V6	4.0 LTR. (245)		01-06	693
V6	4.0 LTR.		98-00	674
V8	5.0 LTR. (302)		98-01	753
V8	5.0 LTR. (302)		1997	774
MYSTIQUE				
L4	2.0 LTR. (122)		2000	754
L4	2.0 LTR. (122)	Coil Pack (1 Required)	2000	5054
L4	2.0 LTR. (122)	Up To 5/99	1999	741
L4	2.0 LTR. (122)	From 5/99 on	1999	754
L4	2.0 LTR. (122)	From 5/99 on Coil Pack (1 Required)	1999	5054
L4	2.0 LTR. (122)		95-98	741
V6	2.5 LTR. (152)		97-00	720
SABLE				
V6	3.0 LTR. DOHC & OHV	Coil Pack (1 Required)	01-05	5055
V6	3.0 LTR. OHV (U)		01-05	695**
V6	3.0 LTR (182) OHV 2	Flex Fuel	2004	695**
V6	3.0 LTR (182) OHV 2	Flex Fuel	2001	695**
V6	3.0 LTR. (182) OHV (U)		96-00	742
V6	3.0 LTR. (182) (S) DOHC		01-05	793**
V6	3.0 LTR. DOHC 24 VALVE (S)	Direct Ignition Coil Unit (6 Required)	2004	5048
V6	3.0 LTR. DOHC 24 VALVE (S)	Direct Ignition Coil Unit (6 Required)	2000	5048
V6	3.0 LTR. (182) (S) DOHC		96-99	775
V6	3.0 LTR. OHV		1995	605
V6	3.0 LTR. OHV		86-94	496
V6	3.8 LTR. (232)		91-95	736
TOPAZ				
L4	2.3 LTR. (140)		88-94	733
V6	3.0 LTR.		92-94	496
TRACER				
L4	1.6 LTR.		87-90	265
L4	1.9 LTR.		91-96	612
L4	2.0 LTR. (122)		97-99	747
TRACER LTS				
L4	1.8 LTR. DOHC		91-96	378

* Order STI # 5011B if you need the Connector and Spring Only.

** Use this wire set in conjunction with #5055 Coil Pack (1 Req)

CY.	APPLICATION	NOTES	YEAR	STI #
-----	-------------	-------	------	-------

MERCURY - con't

VILLAGER

V6	3.0 LTR.		93-98	493
V6	3.3 LTR.		99-02	703

ZEPHYR

L4	2.3 LTR.		78-83	267
----	----------	--	-------	-----

MERKUR

SCORPIO

V6	2.9 LTR.		88-89	427
----	----------	--	-------	-----

XR4Ti

L4	2.3 LTR. Turbo		85-89	428
----	----------------	--	-------	-----

MG

MGB, MGB-GT

L4	1.8 LTR.		68-80	146
----	----------	--	-------	-----

MIDGET

L4	1.3, 1.5 LTR.		73-80	146
----	---------------	--	-------	-----

MITSUBISHI

3000GT

V6	3.0 LTR. DOHC incl. Turbo		98-99	687
V6	3.0 LTR. SOHC		97-98	688
V6	3.0 LTR. DOHC incl. Turbo		91-97	474

CORDIA

L4	1.8, 2.0 LTR. incl. Turbo		83-88	314
----	---------------------------	--	-------	-----

DIAMANTE

V6	3.0 LTR. DOHC	LS	92-95	474
V6	3.0 LTR. SOHC		92-96	422
V6	3.0 LTR. SOHC	Calif. Only	93-95	602
V6	3.5 LTR.		97-04	686

DIAMANTE WAGON

V6	3.0 LTR. SOHC		93-95	602
----	---------------	--	-------	-----

ECLIPSE

L4	1.8 LTR. SOHC		89-94	314
L4	2.0 LTR. DOHC Turbo (4G63)		90-99	425
L4	2.0 LTR. DOHC (420A)		95-99	624
L4	2.4 LTR. SOHC		00-05	718**
L4	2.4 LTR. SOHC	Direct Ignition Coil Unit (2 Required)	00-05	5002^
L4	2.4 LTR. SOHC (4G64)		96-99	681
V6	3.0 LTR.		00-05	648

EXPO

L4	2.4 LTR.	Including 4WD	93-96	492
L4	2.4 LTR.	Including 4WD	1992	314

EXPO LVR

L4	1.8, 2.4 LTR.	Including 4WD	92-94	492
----	---------------	---------------	-------	-----

** This set has two leads. The other two cylinders use Direct Ignition Coils STI #5002.

^ Direct Ignition Coil Unit Used in Conjunction with #718 Wire Set.

CY.	APPLICATION	NOTES	YEAR	STI #
-----	-------------	-------	------	-------

MITSUBISHI - con't

GALANT

L4	2.0 LTR. SOHC	GALANT LS	1993	492
L4	2.0 LTR. DOHC incl. Turbo	GS, GSR, GSX, VR-4	89-92	425
L4	2.0, 2.4 LTR. SOHC	This set contains 7" & 15" Coil Leads	85-92	314
L4	2.4 LTR.		99-03	718**
L4	2.4 LTR.	Direct Ignition Coil Unit (2 Required)	99-03	5002^
L4	2.4 LTR. SOHC		94-98	492
L4	2.4 LTR. DOHC		1994	425
V6	3.0 LTR.		99-03	648

GALANT SIGMA

V6	3.0 LTR.		88-90	310
----	----------	--	-------	------------

LANCER

L4	2.0 LTR. DOHC (4G63)	Evolution w/Turbo	03-06	796^^
L4	2.0 LTR.		02-06	718**
L4	2.0 LTR.	Direct Ignition Coil Unit (2 Required)	02-06	5002^

MIRAGE

L4	1.5 LTR. SOHC		91-02	330
L4	1.5 LTR. SOHC		89-90	375
L4	1.5, 1.6 LTR. incl. Turbo		85-88	314
L4	1.6 LTR. DOHC (4G61)		89-92	425
L4	1.8 LTR.		97-02	718**
L4	1.8 LTR.	Direct Ignition Coil Unit (2 Required)	97-02	5002^
L4	1.8 LTR. SOHC		93-96	492

MONTERO

L4	2.6 LTR.		87-89	314
L4	2.6 LTR.		83-86	227
V6	3.0 LTR. SOHC 24-Valve		95-96	657
V6	3.0 LTR. SOHC		89-94	414
V6	3.5 LTR. SOHC 24-Valve		97-02	680
V6	3.5 LTR. DOHC		94-96	679*
V6	3.8 LTR.		03-06	799*

MONTERO SPORT

L4	2.4 LTR. SOHC (4G64)		97-99	689
V6	3.0 LTR. SOHC 24-Valve (6G72)		97-03	680
V6	3.5 LTR. SOHC 24-Valve (6G74)		99-04	680

OUTLANDER

L4	2.4 LTR.		03-04	718**
L4	2.4 LTR.	Direct Ignition Coil Unit (2 Required)	03-04	5002^

* This set has only three leads. The other three cylinders use Direct Ignition (N/A).

** This set has two leads. The other two cylinders use Direct Ignition Coils STI #5002.

^ Direct Ignition Coil Unit Used in Conjunction with #718 Wire Set.

^^ This set has two leads. The other two cylinders use Direct Ignition Coil (N/A).



CY.	APPLICATION	NOTES	YEAR	STI #
-----	-------------	-------	------	-------

MITSUBISHI - con't

PICKUP (MIGHTY MAX)				
L4	2.0 LTR.		83-89	227
L4	2.4 LTR.		90-96	314
L4	2.6 LTR.		87-89	312
L4	2.6 LTR.		83-86	227
V6	3.0 LTR		90-94	414

PRECIS				
L4	1.5 LTR.		90-93	375
L4	1.5 LTR.		87-89	187

STARION				
L4	2.6 LTR. Turbo		83-89	227

TREDIA				
L4	1.8, 2.0 LTR. incl. Turbo		83-88	314

VAN				
L4	2.4 LTR.		87-90	314

NISSAN

210				
L4	1.2, 1.4, 1.5 LTR.		79-82	210

310				
L4	1.5 LTR. (E15)		1982	260

350Z				
V6	3.5 LTR.	Direct Ignition Coil Unit (6 Required)	03-06	5027

510				
L4	2.0 LTR. (Z20S)	With 8 Plug Ignition System	80-81	217

810				
L6	2.4 LTR.		77-81	118

200SX				
L4	1.6 LTR. DOHC (GA16DE)		95-98	420
L4	1.8 LTR. (CA18ET)		84-88	279
L4	2.0 LTR. DOHC (SR20DE)		1998	670
L4	2.0 LTR. DOHC (SR20DE)		95-97	618
L4	2.0 LTR. (CA20E)		84-88	279
L4	2.0, 2.2 LTR. (Z20E, Z22E)	Including Calif.	80-81	217
V6	3.0 LTR. (VG30E)		87-88	327

240SX				
L4	2.4 LTR. DOHC (KA24DE)		95-98	418*
L4	2.4 LTR. DOHC (KA24DE)		91-94	418
L4	2.4 LTR. (KA24E)		89-90	409

240Z, 260Z, 280Z, 280ZX				
L6	2.4, 2.6, 2.8 LTR. including Turbo		70-83	118

* This set contains a Coil Wire not needed in this application.

CY.	APPLICATION	NOTES	YEAR	STI #
NISSAN - con't				
300ZX				
V6	3.0 LTR. (VG30DE)	Direct Ignition Coil Only (6 Required)	90-96	5029^^
V6	3.0 LTR. (VG30E, VG30ET) including Turbo	Made with Silicone Ends	84-89	284
V6	3.0 LTR. (VG30E, VG30ET) including Turbo	Made with OEM Type Ends	84-89	284B
ALTIMA				
L4	2.4 LTR. (KA24DE)		97-01	662
L4	2.4 LTR. (KA24DE)		93-96	456
L4	2.5 LTR.	Direct Ignition Coil Unit (4 Required)	02-06	5026
V6	3.5 LTR.	Direct Ignition Coil Unit (6 Required)	02-06	5028
ARMADA				
V8	5.6 LTR. DOHC (VK56DE)	Direct Ignition Coil Unit (8 Required)	04-07	5049
AXXESS				
L4	2.4 LTR. (KA24E)		90-92	409
B110, 1200				
L4	1.2 LTR.		70-73	210
B210				
L4	1.3, 1.4 LTR		73-78	210
D21 PICKUP				
L4	2.4 LTR. (KA24E)		90-97	409
L4	2.4 LTR. (Z24)		86-89	297
V6	3.0 LTR. (VG30E)		90-96	423
V6	3.0 LTR. (VG30i)		86-89	404
FRONTIER				
L4	2.4 LTR.		02-04	744
L4	2.4 LTR. DOHC (KA24DE)		98-01	662*
V6	3.3 LTR.	Supercharged Eng.	01-04	745
V6	3.3 LTR.	Excluding Supercharged Eng.	02-04	743
L4	3.3 LTR.		99-01	671
V6	4.0 LTR.	Direct Ignition Coil Unit (6 Required)	05-06	5028
MAXIMA				
L6	2.4 LTR. (L24E)		82-84	118
V6	3.0 LTR. VQ30DE, Right Bank (A33 Chassis)	Ign. Coil Unit (3 Req) from 4/99 on	04.99-01	5035***
V6	3.0 LTR. VQ30DE, Left Bank (A33 Chassis)	Ign. Coil Unit (3 Req) from 4/99 on	04.99-01	5036^
V6	3.0 LTR. VQ30DE, Right Bank (A32 Chassis)	Ign. Coil Unit (3 Req) up to 3/99	95-99.03	5000
V6	3.0 LTR. VQ30DE, Left Bank (A32 Chassis)	Ign. Coil Unit (3 Req) up to 3/99	95-99.03	5001
V6	3.0 LTR. (VG30E)		89-94	424
V6	3.0 LTR. (VG30E)	Made with OEM Type Ends	86-88	343
V6	3.0 LTR. (VG30E)	Made with Silicone Ends	1985	284**
V6	3.5 LTR.	Direct Ignition Coil Unit (6 Required)	02-06	5028
MURANO				
V6	3.5 LTR.	Direct Ignition Coil Unit (6 Required)	03-06	5028

* This set contains a Coil Wire not needed in this application.

** Order STI # 284B for set with OE Type Plug Connectors.

*** Firewall Side

^ Radiator Side

^^ This Direct Ignition Coil does not include the connector boot.



CY.	APPLICATION	NOTES	YEAR	STI #
-----	-------------	-------	------	-------

NISSAN - con't

NX				
L4	1.6 LTR. (GA16DE)		91-93	420
L4	2.0 LTR. (SR20DE)		91-93	421
PATHFINDER				
L4	2.4 LTR. (Z24i)		87-89	297
V6	3.0 LTR. (VG30E)		90-95	423
V6	3.0 LTR. (VG30i)		87-89	404
V6	3.3 LTR. (VG33E)		96-00	671
V6	3.5 LTR. From July 2001 on	Direct Ignition Coil Unit (6 Required)	01.07-04	5028
V6	4.0 LTR.	Direct Ignition Coil Unit (6 Required)	05-06	5028
PICKUP				
L4	2.0, 2.2, 2.4 LTR. (Z20, Z22, Z24)		81-86	217
PULSAR				
L4	1.5 LTR. (E15ET)		83-84	260
L4	1.6 LTR. (GA16i)	Made with OEM Type Ends	89-90	377
L4	1.6 LTR. (E16)		83-88	260**
QUEST				
V6	3.0 LTR. (VG30E)		93-98	493
V6	3.3 LTR. (VG33DE)		99-02	703
V6	3.5 LTR.	Direct Ignition Coil Unit (6 Required)	04-06	5028
SENTRA				
L4	1.5, 1.6 LTR. (E15, E16, E16S, E16i)		82-88	260
L4	1.6 LTR. DOHC (GA16DE)		91-99	420
L4	1.6 LTR. (GA16i)		89-90	377
L4	1.8 LTR. (QG18DE)	Direct Ignition Coil Unit (4 Required)	01.08-03	5033
L4	1.8 LTR. DOHC	Direct Ignition Coil Unit (4 Required)	00-01	5008
L4	2.0 LTR. DOHC (SR20DE)		98-01	670
L4	2.0 LTR. DOHC (SR20DE)		91-94	421
L4	2.5 LTR.	Direct Ignition Coil Unit (4 Required)	02-06	5026
STANZA				
L4	2.0 LTR. (CA20E)	This set contains two 9" Coil Leads	87-89	309
L4	2.0 LTR. (CA20E, CA20S)	This set contains two 23" Coil Leads	82-86	236
L4	2.4 LTR. (KA24E)		90-92	409
STANZA WAGON				
L4	2.0 LTR. (CA20E)	This set contains two 23" Coil Leads	86-89	236
TITAN				
V8	5.6 LTR. DOHC (VK56DE)	Direct Ignition Coil Unit (8 Required)	04-07	5049
VAN				
L4	2.4 LTR. (Z24)		87-90	236

** Order STI # 284B for set with OE Type Plug Connectors.

CY.	APPLICATION	NOTES	YEAR	STI #
-----	-------------	-------	------	-------

NISSAN - con't

XTERRA				
L4	2.4 LTR.		02-04	744
L4	2.4 LTR.		00-01	662^
V6	3.3 LTR.	Supercharged Eng.	02-04	745
V6	3.3 LTR.	Excluding Supercharged Eng.	02-04	743
L4	3.3 LTR.		00-01	671
V6	4.0 LTR.	Direct Ignition Coil Unit (6 Required)	05-06	5028

GM Quad 4 Boots

STI now makes ignition cable sets for all the *Fast Moving Domestic* applications. We even carry the popular GM Quad 4 engine spark plug boots and sell them in **sets of four.**



STI # 712

^ This set contains a Coil Wire not needed in this application.



CY.	APPLICATION	NOTES	YEAR	STI #
-----	-------------	-------	------	-------

OLDSMOBILE**88, LSS, DELTA 88, CUSTOM CRUISER**

V6	3.8 LTR. (231) (K)	Excluding Supercharged Eng.	1999	750
V6	3.8 LTR. (231) (1)	Supercharged Eng.	96-99	768
V6	3.8 LTR. (231) (K)	Excluding Supercharged Eng.	95-98	752
V6	3.8 LTR. (231) (1) Supercharged		1995	707
V6	3.8 LTR. (231) (L)		93-94	707
V6	3.8 LTR. (231) (L)	With Delco Coil Pack	1992	707
V6	3.8 LTR. (231)	with Magnavox Coil Pack	1992	780
V6	3.8 LTR. (231)		90-91	780

98, REGENCY

V6	3.8 LTR. (231)		96-98	752
V6	3.8 LTR. (231) (L, 1) incl. Supercharged	Excludes K Codes	93-95	707
V6	3.8 LTR. (231) (K)	Excluding Supercharged Eng.	1995	752
V6	3.8 LTR. (231) (1) Supercharged	With Delco Coil Pack	1992	707
V6	3.8 LTR. (231)	with Magnavox Coil Pack	1992	780
V6	3.8 LTR. (231)		90-91	780

ACHIEVA

L4	2.3 LTR.	Set contains Four Connectors	92-95	712
L4	2.4 LTR. (146)	Set contains Four Connectors	96-98	712
V6	3.1 LTR. (189) (M)		94-98	710

ALERO

L4	2.4 LTR. (146)	Set contains Four Connectors	99-01	712
V6	3.4 LTR. (207)		00-04	746
V6	3.4 LTR. (207) (E)		1999	710

AURORA

V8	4.0 LTR. (244)		95-99	769
----	----------------	--	-------	------------

BRAVADA

V6	4.3 LTR.		96-01	699
V6	4.3 LTR. (262) (W, Z)		92-94	708

CALAIS, CUTLASS CALAIS

L4	2.3 LTR.	Set contains Four Connectors	87-91	712
L4	2.5 LTR.		85-86	497
V6	3.3 LTR. (204) (N)		89-91	707

CIERA, CUTLASS CIERA

L4	2.2 LTR. (134)		93-96	779
L4	2.5 LTR.		85-86	497
L4	2.5 LTR.		82-84	498
V6	2.8 LTR. (173) (W)		87-89	709
V6	2.8 LTR. (W)	F/inj. Eng.	1986	600
V6	2.8 LTR. (X)	without F/inj. Eng.	85-86	412
V6	3.1 LTR. (189)		94-95	771
V6	3.3 LTR. (204) (N)		89-91	707

CY.	APPLICATION	NOTES	YEAR	STI #
-----	-------------	-------	------	-------

OLDSMOBILE - con't

CUTLASS, CUTLASS SUPREME, VISTA CRUISER, F85

L4	2.3 LTR.	Set contains Four Connectors	90-91	712
V6	2.8 LTR. (173) (W)		88-89	709
V6	3.1 LTR. (189) (M)		95-99	710
V6	3.1 LTR. (189)		1994	771
V6	3.1 LTR. (189) (M)		1993	771
V6	3.1 LTR. (189) (M, T)		89-93	709

FIRENZA

L4	2.0 LTR. (122) (1)		87-88	704
V6	2.8 LTR.		85-86	600

INTRIGUE

V6	3.8 LTR. (231)		98-99	755
----	----------------	--	-------	-----

OMEGA

L4	2.5 LTR.		80-84	498
----	----------	--	-------	-----

SILHOUETTE

V6	3.1 LTR.		90-95	600
V6	3.4 LTR. (207)		01-04	746
V6	3.4 LTR. (207)		2000	777
V6	3.4 LTR. (207) (E)		96-99	710
V6	3.8 LTR. (231) (L)		92-95	707

STARFIRE

L4	2.5 LTR.		1979	498
----	----------	--	------	-----

TORONADO

V6	3.8 LTR. (231) (L)		91-92	707
V6	3.8 LTR. (231)		1990	780

OPEL

1900

L4	1.9 LTR.		71-72	315
----	----------	--	-------	-----

GT

L4	1.9 LTR.		68-73	315
----	----------	--	-------	-----

ISUZU

L4	1.8 LTR.		75-79	199
----	----------	--	-------	-----

KADETT

L4	1.1 LTR.		68-70	199
L4	1.9 LTR.		68-70	315

MANTA

L4	1.9 LTR.		73-75	315
----	----------	--	-------	-----



CY.	APPLICATION	NOTES	YEAR	STI #
-----	-------------	-------	------	-------

PASSPORT (Canada)

I-MARK				
L4	1.5 LTR. (90) Turbo		1989	298
L4	1.5 LTR. (90)		1989	299
L4	1.6 LTR. (97)		89-91	462

IMPULSE				
L4	2.0 LTR. (121) Turbo		1989	332
L4	2.3 LTR. (137)		1989	332

OPTIMA				
L4	1.6 LTR.		88-91	429

PICKUP				
L4	2.3 LTR. (137)		89-90	307
L4	2.6 LTR. (156)		89-90	372

TROOPER II				
L4	2.6 LTR. (156)		89-91	372
V6	2.8 LTR. (173)		89-91	412

PEUGEOT

405				
L4	1.9 LTR. (XU9J2)	From 1/89 on	89-91	603
L4	1.9 LTR. (XU9J2)	To fit models up to 12/88 Only	1989	457

405 Mi16				
L4	1.9 LTR. (XU9J4)		89-91	448

505				
L4	2.0 LTR.	Must Re-use OE Spark Plug Conn.	80-87	286
L4	2.0 LTR.	Assembled w/OE Spark Plug Conn.	80-87	286B
L4	2.2 LTR. (ZDJL)		87-91	403
L4	2.2 LTR. Turbo (N9T)		85-91	435
V6	2.8 LTR.	Equipped with Sensor Cable	87-89	410

604				
V6	2.7, 2.8 LTR.		77-80	262



CY.	APPLICATION	NOTES	YEAR	STI #
-----	-------------	-------	------	-------

PLYMOUTH

ACCLAIM

L4	2.5 LTR. incl. Turbo		91-95	495
L4	2.5 LTR. incl. Turbo		89-90	221
V6	3.0 LTR.		89-95	604

ARROW

L4	1.6 LTR.		76-79	185
L4	1.6 LTR.		1980	227
L4	2.0 LTR.		76-79	227
L4	2.6 LTR.		79-80	227

ARROW PICKUP

L4	2.0, 2.6 LTR.		78-82	227
----	---------------	--	-------	-----

BREEZE

L4	2.0 LTR. SOHC		97-00	672
L4	2.0 LTR. SOHC		1996	641
L4	2.4 LTR.		96-00	624

CARAVELLE

L4	2.2, 2.5 LTR. incl. Turbo		83-88	221
L4	2.6 LTR.		1985	314

CHAMP

L4	1.4, 1.6 LTR.		79-82	187
----	---------------	--	-------	-----

COLT

L4	1.4 LTR.		79-84	187
L4	1.5 LTR.		91-94	299
L4	1.5 LTR.		85-90	314
L4	1.6 LTR. incl. Turbo		89-90	425
L4	1.6 LTR. incl. Turbo		85-88	314
L4	1.6 LTR.		80-84	187
L4	1.6 LTR.		71-79	227
L4	1.8 LTR.		93-94	492
L4	1.8 LTR.		1990	314
L4	1.8 LTR.		1989	187
L4	2.0 LTR.		74-79	227
L4	2.6 LTR.		78-80	227

COLT VISTA

L4	1.8 LTR.		92-94	492
L4	2.0 LTR.		87-91	314
L4	2.0 LTR.		84-86	227
L4	2.4 LTR.		93-94	492
L4	2.4 LTR.		1992	314

CONQUEST

L4	2.6 LTR.		84-86	227
----	----------	--	-------	-----



CY.	APPLICATION	NOTES	YEAR	STI #
-----	-------------	-------	------	-------

PLYMOUTH - con't

DUSTER

L4	2.5 LTR. incl. Turbo		92-94	495
V6	3.0 LTR.		92-94	604

EXPO

L4	2.2 LTR. (135)		87-89	221
----	----------------	--	-------	-----

HORIZON, TURISMO

L4	1.6 LTR.		83-86	221
L4	2.2 LTR.		81-90	221

LASER

L4	1.8 LTR.		90-94	314
L4	2.0 LTR. incl. Turbo		90-94	425

NEON

L4	2.0 LTR. (122)		2001	672
L4	2.0 LTR. SOHC (C)		97-00	672
L4	2.0 LTR. DOHC (Y)		95-99	624
L4	2.0 LTR. SOHC (C)		95-96	641

PROWLER

V6	3.5 LTR.	Direct Ignition Coil Unit (6 Required)	99-01	5043
V6	3.5 LTR.	Direct Ignition Coil Unit (6 Required)	1997	5043

RELIANT

L4	2.2, 2.5 LTR. incl. Turbo		81-89	221
L4	2.6 LTR.		1985	314
L4	2.6 LTR.		81-84	227

SAPORO

L4	1.6, 2.6 LTR.		78-83	227
----	---------------	--	-------	-----

SCAMP, VALIANT

L4	2.2 LTR. (135)		1983	221
----	----------------	--	------	-----

SUNDANCE

L4	2.2 LTR.		91-94	495
L4	2.2 LTR. incl. Turbo		87-90	221
L4	2.5 LTR. incl. Turbo		91-94	495
L4	2.5 LTR. incl. Turbo		88-90	221
V6	3.0 LTR.		92-94	604

VOYAGER, GRAND VOYAGER

L4	2.2 LTR.		84-87	221
L4	2.4 LTR.		96-00	624
L4	2.5 LTR.		91-95	495
L4	2.5 LTR. incl. Turbo		87-90	221
L4	2.6 LTR.		84-87	199
V6	3.0 LTR.		90-00	604
V6	3.3 LTR. (201)		96-00	740
V6	3.3 LTR. (201) (J, R)		90-95	711
V6	3.8 LTR. (230)		98-99	740
V6	3.8 LTR. (230) (L)		94-95	711

CY.	APPLICATION	NOTES	YEAR	STI #
PONTIAC				
6000				
L4	2.5 LTR.		85-86	497
L4	2.5 LTR.		82-84	498
V6	2.8 LTR. (173) (W)		87-89	709
V6	2.8 LTR. (X)		85-86	412
V6	2.8 LTR. H.O. (W)		85-86	600
V6	3.1 LTR. (189) (T)		88-91	709
AZTEK				
V6	3.4 LTR. (207)		01-05	746
BONNEVILLE, CATALINA				
V6	3.8 LTR. (231)		04-05	748
V6	3.8 LTR. (231) (1)	Supercharged Eng.	00-03	748
V6	3.8 LTR. (231) (K)	Excluding Supercharged Eng.	99-03	750
V6	3.8 LTR. (231) (1)	Supercharged Eng.	96-99	768
V6	3.8 LTR. (231) (K)	Excluding Supercharged Eng.	95-98	752
V6	3.8 LTR. (231) (1)	Supercharged Eng.	1995	707
V6	3.8 LTR. (231) (L, 1) incl. Supercharged		93-94	707
V6	3.8 LTR. (231) (1) Supercharged	With Delco Coil Pack	1992	707
V6	3.8 LTR. (231)	with Magnavox Coil Pack	1992	780
V6	3.8 LTR. (231)		90-91	780
FIERO				
L4	2.5 LTR.		85-86	497
L4	2.5 LTR.		1984	498
V6	2.8 LTR.		85-88	600
FIREBIRD, TRANS AM				
L4	2.5 LTR.		85-86	497
L4	2.5 LTR.		82-84	498
V6	2.8 LTR.		86-89	600
V6	3.1 LTR. (T)		90-92	412
V6	3.8 LTR. (231)		00-02	772
V6	3.8 LTR. (231)		95-99	762
V8	5.7 LTR. (350)		98-02	766
FIREFLY (Canada)				
L3	1.0 LTR.		89-99	471
L3	1.0 LTR.		85-88	301
L3	1.0 LTR. Turbo		87-88	471
L4	1.3 LTR. (79)		1999	610*
L4	1.3 LTR. (79) (2)		1998	610*
L4	1.3 LTR. (79)		1998	185
L4	1.3 LTR.		95-97	185
G6				
V6	3.5 LTR. (211)		05-06	786

* This set contains a Coil Wire not needed in this application.



CY.	APPLICATION	NOTES	YEAR	STI #
-----	-------------	-------	------	-------

PONTIAC - con't

GRAND AM

L4	2.3 LTR.	Set contains Four Connectors	88-95	712
L4	2.4 LTR. (146)	Set contains Four Connectors	96-01	712
L4	2.5 LTR.		85-86	497
V6	3.1 LTR. (189) (M)		94-98	710
V6	3.4 LTR. (207)		00-05	746
V6	3.4 LTR. (207) (E)		1999	710

GRAND PRIX

L4	2.3 LTR. (138)	Set contains Four Connectors	90-91	712
V6	2.8 LTR. (173) (W)		88-89	709
V6	3.1 LTR. (189)		01-03	746
V6	3.1 LTR. (189)		2000	777
V6	3.1 LTR. (189) (M)		94-99	710
V6	3.1 LTR. (189) (T, V) incl. Turbo		89-93	709
V6	3.8 LTR. (231)		99-06	748
V6	3.8 LTR. (231) (K)	Excluding Supercharged Eng.	97-98	755
V8	5.3 LTR. (325)		05-07	757

LeMANS, TEMPEST, GTO

L4	1.6 LTR.		88-93	429
L4	2.0 LTR. (122) (1)	Canada	87-89	704
L4	2.2 LTR. (134) (G)	Canada	90-91	704
L4	2.3 LTR. (138)	Set contains Four Connectors	90-91	712
V6	2.8 LTR. (173) (W)	Canada	1989	709
V6	3.1 LTR. (189) (T)	Canada	90-91	709
V8	5.7 LTR. (350)		2004	766
V8	6.0 LTR. (364)		05-06	757

MONTANA

V6	3.4 LTR. (207)		01-05	746
V6	3.4 LTR. (207)		2000	777
V6	3.4 LTR. (207) (E)		1999	710
V6	3.5 LTR. (213)		05-06	786

PHOENIX

L4	2.5 LTR.		80-84	498
----	----------	--	-------	-----

SUNBIRD

L4	2.5 LTR.		79-80	498
V6	3.1 LTR. (189) (T)		91-94	709

SUNFIRE

L4	2.2 LTR. (134) (4)		2002	756
L4	2.2 LTR. (134)		98-01	756
L4	2.2 LTR. (134)		95-97	779
L4	2.3 LTR. (138)	Set contains Four Connectors	1995	712
L4	2.4 LTR. (146)	Set contains Four Connectors	96-02	712



CY.	APPLICATION	NOTES	YEAR	STI #
PONTIAC - con't				
SUNRUNNER (Canada)				
L4	1.6 LTR. (98)		95-97	610
L4	1.6 LTR. (98)		1994	406
TORRENT				
V6	3.4 LTR. (207)		2006	786
TRANS SPORT				
V6	3.1 LTR.		90-95	600
V6	3.4 LTR. (207) (E)		96-98	710
V6	3.8 LTR. (231) (L)		92-95	707



CY.	APPLICATION	NOTES	YEAR	STI #
PORSCHE				
356				
H4	1.3, 1.5, 1.6 LTR.		55-65	102
911				
H6	2.0, 2.2, 2.3 LTR.	Made with Straight Spark Plug Ends	65-73	108*
H6	2.0, 2.2, 2.3, 2.7, 3.0, 3.3 LTR.	Made with OE metal external braiding	65-83	911B
H6	2.0, 2.2, 2.3, 2.7, 3.0, 3.3 LTR.	Use #911B for applications w/CIS Inj.	65-83	911
911 CARRERA				
H6	3.2 LTR.		85-89	970
H6	3.2 LTR.	E-PROGRAM	1984	930
H6	3.4 LTR. (996)	Direct Ignition Coil Unit (6 Required)	99 on	ZS-019
H6	3.6 LTR. (993)	This engine uses 12 Spark Plugs	95-98	993
911 CARRERA 2				
H6	3.6 LTR. (964)	This engine uses 12 Spark Plugs	89-94	434
911 CARRERA 4				
H6	3.4 LTR. (996)	Direct Ignition Coil Unit (6 Required)	99 on	ZS-019
H6	3.6 LTR. (993)	This engine uses 12 Spark Plugs	95-98	993
H6	3.6 LTR. (964)	This engine uses 12 Spark Plugs	89-94	434
911 TURBO				
H6	3.3 LTR. COUPE (M30.69)		91-92	971
H6	3.3 LTR. Turbo	Made with OE metal external braiding	86-89	911B
H6	3.3 LTR. Turbo	Without OE metal external braiding	86-89	911
H6	3.6 LTR. (964) (M64.50)	This engine uses 6 Spark Plugs	93-97	972
912				
H4	1.6 LTR.		65-69	102
912E				
H4	2.0 LTR.	With 2 Long & 2 Short Plug Conn.	1976	107
914				
H4	1.7, 1.8 LTR.	With 2 Long & 2 Short Plug Conn.	70-75	107
H4	2.0 LTR.	Made with all Short Plug Conn.	73-76	102
914/6				
H6	2.0 LTR.	Made with Straight Spark Plug Ends	70-71	108
924				
L4	2.0 LTR.		77-82	924
924S				
L4	2.5 LTR.		87-88	944
924 TURBO				
L4	2.0 LTR. Turbo		80-82	924T
928				
V8	4.5, 4.7 LTR. incl. S model		78-84	928
V8	5.0, 5.4 LTR. incl. GT, GTS, S & S4	This set includes 4 Coil Leads	85-95	931
930				
H6	3.0, 3.3 LTR. Turbo	Made with OE metal external braiding	77-79	911B
H6	3.0, 3.3 LTR. Turbo	Use #911B for applications with CIS Inj.	77-79	911

* Use #911B for applications with CIS Inj.



CY.	APPLICATION	NOTES	YEAR	STI #
-----	-------------	-------	------	-------

PORSCHE - con't

944

L4	2.5, 2.7 LTR. incl. Turbo		83-89	944
L4	2.5, 3.0 LTR. 16-Valve Excluding Turbo	Including S & S2 models	87-91	945
L4	3.0 LTR. Turbo		90-91	944

968

L4	3.0 LTR.		92-95	968
----	----------	--	-------	------------

BOXSTER

H6	2.5 LTR.	Direct Ignition Coil Unit (6 Required)	97-99	ZS-019
H6	2.7 LTR.	Direct Ignition Coil Unit (6 Required)	2000	ZS-019

BOXSTER S

H6	3.2 LTR.	Direct Ignition Coil Unit (6 Required)	2000	ZS-019
----	----------	--	------	---------------

CARRERA GT

V10	5.7 LTR. DOHC	Direct Ignition Coil Unit (10 Required)	04-05	5050
-----	---------------	---	-------	-------------

CAYENNE

V6	3.2 LTR. DOHC	Direct Ignition Coil Unit (6 Required)	04-06	20122
V8	4.5 LTR. DOHC	Direct Ignition Coil Unit (8 Required)	03-06	5050



CY.	APPLICATION	NOTES	YEAR	STI #
-----	-------------	-------	------	-------

RENAULT

DAUPHINE				
L4	.8 LTR.		56-67	146
FUEGO				
L4	2.2 LTR.		84-85	390
LeCar, R5				
L4	1.3, 1.4 LTR.		77-83	210
MEDALLION				
L4	2.2 LTR.		87-88	390
R8, R10				
L4	1.0, 1.1, 1.3 LTR.		62-71	146
R12, R15				
L4	1.6 LTR.		72-77	146
R16				
L4	1.6 LTR.		69-72	210
R17, GORDINI				
L4	1.6 LTR.		74-79	146
R18i, SPORTWAGON				
L4	2.2 LTR.		84-86	390

SAAB

9-3				
L4	2.0 LTR. Turbo		99-01	469
L4	2.3 LTR. Turbo		99-01	469
9-7X				
V8	5.3 LTR. (323)		05-06	757
99				
L4	2.0 LTR.		72-80	406
900				
L4	2.0 LTR. 16-Valve incl. Turbo		85-90	287
L4	2.0 LTR.	Excluding 16-Valve	81-88	265
L4	2.0 LTR. incl. Turbo		79-80	406
L4	2.0, 2.1 LTR. incl. Turbo		90-94	287
L4	2.3 LTR. (B234I)	For Coils w/Screw-On Conn. Only	94-98	469
900SE				
L4	2.0 LTR. (B204L)	For Coils w/Screw-On Conn. Only	94-98	469
V6	2.5 LTR. (B258I)		94-97	630
9000				
L4	2.0 LTR. incl. Turbo		86-90	287
V6	3.0 LTR.		95-98	630

CY.	APPLICATION	NOTES	YEAR	STI #
SATURN				
RELAY				
V6	3.5 LTR. (213)		05-06	786
SC, SL, SW				
L4	1.9 LTR. DOHC (7)	LS2, LW2, SC2, SL2, SW2	91-02	616
L4	1.9 LTR. SOHC (8, 9)	SC1, SL1, SW1, LS1, LW1	91-02	615
STERLING				
825, 827				
L6	2.5, 2.7 LTR.		87-91	362
SCION				
TC				
L4	2.4 LTR. (2AZFE)	Direct Ignition Coil Unit (4 Required)	05 on	5021
XA				
L4	1.5 LTR. DOHC (1NZFE)	Direct Ignition Coil Unit (4 Required)	04-05	5016
XB				
L4	1.5 LTR. DOHC (1NZFE)	Direct Ignition Coil Unit (4 Required)	04-05	5016
SUBARU				
1600, 1800				
H4	1.6, 1.8 LTR.		76-84	135
BAJA				
H4	2.5 LTR. SOHC		2004	673
H4	2.5 LTR.		2003	673
BRAT				
H4	1.6, 1.8 LTR.		77-87	135
DL, GL, RX				
H4	1.4, 1.6, 1.8 LTR. incl. Turbo	Including 1800, GF & GLF models	72-84	135
H4	1.8 LTR. (EA82)		1989	349
H4	1.8 LTR. (EA81) incl. 1800	Carb. Eng. & SPI Fuel System	85-89	348
H4	1.8 LTR. Turbo incl. 4WD & 1800 (EA82)	MPI Fuel System	85-89	349
FORESTER				
H4	2.5 LTR. Non Turbo	w/Angled Push-On Coil/Dist. End	05-07	809
H4	2.5 LTR. SOHC		99-03	673
H4	2.5 LTR. DOHC		1998	654
HATCHBACK				
H4	1.6, 1.8 LTR.		80-89	135
IMPREZA				
H4	1.8 LTR. (EJ18E)		95-97	622
H4	1.8 LTR. (EJ18E)		93-94	621
H4	2.2 LTR. (EJ22E)		97-98	667
H4	2.2 LTR. (EJ22E)		95-96	623
H4	2.2 LTR. SOHC		99-01	673
H4	2.5 LTR.		99-03	673
H4	2.5 LTR. DOHC		1998	654
JUSTY				
L3	1.2 LTR. (EF12)		87-94	135

CY.	APPLICATION	NOTES	YEAR	STI #
-----	-------------	-------	------	-------

SUBARU - con't

LEGACY

H4	2.2 LTR. SOHC		1999	673
H4	2.2 LTR.		97-98	667
H4	2.2 LTR. (EJ22E)		95-96	623
H4	2.2 LTR. incl. Turbo		90-94	407
H4	2.5 LTR. Non Turbo	w/Angled Push-On Coil/Dist. End	06-07	809
H4	2.5 LTR. SOHC	from March of 2004 on	04.03-05	808
H4	2.5 LTR.		00-03	673
H4	2.5 LTR.	For use with SAE Pin Type Coil/Dist.	97.05-99	660*
H4	2.5 LTR.	For use with Push-On Type Coil/Dist.	96.06-97.04	654*
H4	2.5 LTR.	For use with Push-On Type Coil/Dist.	95-96.05	653**

LOYALE

H4	1.8 LTR. (EA82)		90-94	348
H4	1.8 LTR. Turbo (EA82T)		1990	349

OUTBACK

H4	2.5 LTR. Non Turbo	w/Angled Push-On Coil/Dist. End	06-07	809
H4	2.5 LTR. Non Turbo	from March of 2004 on	04.03-05	808
H4	2.5 LTR. Non H6	Up to February 2004	00-04.02	673

XT

H4	1.8 LTR. incl. Turbo		85-91	344
----	----------------------	--	-------	-----

XT6

H6	2.7 LTR. (ER27)		88-91	405
----	-----------------	--	-------	-----



#660



#653



#654

* Spark Plug Conn. has an Oval Top with a Taper.

** Spark Plug Conn. has an Oval Top.

CY.	APPLICATION	NOTES	YEAR	STI #
SUZUKI				
ESTEEM				
L4	1.6 LTR. SOHC 16-Valve (G16B)		99-00	677**
L4	1.6 LTR. SOHC 16-Valve (G16B)	#33400-65G00 (Ign. Coil - 2 required)	99-00	5009
L4	1.6 LTR. (G16B)		1998	610*
L4	1.6 LTR. SOHC 16-Valve (G16B)		95-97	639
L4	1.8 LTR. DOHC	Direct Ignition Coil Unit (4 Required)	99-02	5013
FORSA				
L3	1.0 LTR. Turbo	Canada	1987	471
SAMURAI				
L4	1.3 LTR. (G13A)		86-95	406
SIDEKICK				
L4	1.3, 1.6 LTR. 8-Valve		89-95	406
L4	1.6 LTR. 16-Valve		92-98	610
SWIFT				
L3	1.0 LTR.	Canada	92-94	471
L4	1.3 LTR. SOHC (G13B)	incl. Cami Models	99-01	677^
L4	1.3 LTR.		1998	610*
L4	1.3 LTR. SOHC (G13A)		89-97	185
L4	1.3 LTR. DOHC (G13B)		89-94	611
GRAND VITARA				
V6	2.5 LTR. DOHC	Direct Ignition Coil Unit (6 Required)	99-02	5013
VITARA				
L4	1.6 LTR. SOHC 16-Valve (G16B)		99-01	677^
L4	2.0 LTR. DOHC	Direct Ignition Coil Unit (4 Required)	99-03	5013
X90				
L4	1.6 LTR. (G16B)		96-98	610
XL7				
V6	2.7 LTR. DOHC	Direct Ignition Coil Unit (6 Required)	01-02	5013

* This application does not require a coil lead.

** This set contains two leads. Purchase two # 5009 coils for a complete tune-up.

^ This set has only two leads. The other cylinders use Direct Ignition (N/A).



CY.	APPLICATION	NOTES	YEAR	STI #
-----	-------------	-------	------	-------

TOYOTA

FOR CROSS REFERENCE LIST FROM O.E. TOYOTA TO STI #, SEE PAGE # 105

4-RUNNER

L4	2.4 LTR. (22REC)	5mm Cable Type Wire Set	92.08-95	488
L4	2.4 LTR. incl. Turbo		84-92	351
L4	2.7 LTR. (3RZFE)	This set has Straight Dist. Ends	96.08-00	658
L4	2.7 LTR. (3RZFE)	This Set has Angled Dist. Ends	95-96.08	628
V6	3.0 LTR. (3VZE)		92-95	804
V6	3.0 LTR. (3VZE)		88-91	402
V6	3.4 LTR. (5VZFE)	OE Wire Set w/Harness	96-02	644 OE^
V6	3.4 LTR. (5VZFE)	Three leads without Harness	96-02	644~
V6	3.4 LTR. (5VZFE)	Direct Ignition Coil Unit (3 Required)	96-02	5015
V8	4.7 LTR. DOHC (2UZFE)	Direct Ignition Coil Unit (8 Required)	03-06	5051

AVALON

V6	3.0 LTR. (1MZFE)	Direct Ignition Coil Unit (6 Required)	00-04	5057
V6	3.0 LTR. (1MZFE)	OE Wire Set Direct from Japan	96-99	652 OE*
V6	3.0 LTR. (1MZFE)	Three leads without Harness	96-99	652^^
V6	3.0 LTR. (1MZFE)	Direct Ignition Coil Unit (3 Required)	96-99	5047
V6	3.5 LTR. DOHC	Direct Ignition Coil Unit (6 Required)	05-07	5052

CAMRY

L4	2.0 LTR. (3SFE)	Cap Wire Assembly	87-91	394Y
L4	2.0 LTR.	Canada	1992	802
L4	2.0 LTR. (2SELC)		83-86	274
L4	2.2 LTR. (5SFE)	This Set has Straight Dist. Ends	96.07 on	634**
L4	2.2 LTR. (5SFE)	This Set has Angled Dist. Ends	92-96	802
L4	2.4 LTR. (2AZFE)	Direct Ignition Coil Unit (4 Required)	02 on	5021
V6	2.5 LTR. (2VZFE)		88-91	443
V6	3.0 LTR. (1MZFE)	Direct Ignition Coil Unit (6 Required)	02-05	5057
V6	3.0 LTR. (1MZFE)	OE Wire Set Direct from Japan	96-01	652 OE*
V6	3.0 LTR. (1MZFE)	Three leads without Harness	96-01	652^^
V6	3.0 LTR. (1MZFE)	Direct Ignition Coil Unit (3 Required)	96-01	5047
V6	3.0 LTR. (3VZFE)		92-93	440
V6	3.5 LTR. DOHC	Direct Ignition Coil Unit (6 Required)	2007	5052

CARINA

L4	1.6 LTR. (2TC)		72-73	133
----	----------------	--	-------	------------

* This set contains three leads assembled in a harness. Purchase three # 5047 coils for a complete tune-up.

** For Applications without Coil Leads.

^ This set contains three leads assembled in a harness. Purchase three # 5015 coils for a complete tune-up.

^^ This set contains three leads. Purchase three # 5047 coils for a complete tune-up.

~ This set contains three leads. Purchase three # 5015 coils for a complete tune-up.

CY.	APPLICATION	NOTES	YEAR	STI #
-----	-------------	-------	------	-------

TOYOTA - con't

CELICA

L4	1.6 LTR. (4AFE)	Cap Wire Assembly	90-93	397Y
L4	1.8 LTR. (7AFE)		94-98	485
L4	1.8 LTR. (1ZZFE)	Direct Ignition Coil Unit (4 Required)	00 on	5005
L4	2.0 LTR. Turbo (3SGTE)		92-93	803
L4	2.0 LTR. Turbo (3SGTE)		90-91	477
L4	2.0 LTR. Turbo (3SGTE)		88-89	436
L4	2.0 LTR. (3SFE)	Cap Wire Assembly	87-89	394Y
L4	2.0 LTR. (3SGELC)		86-89	419
L4	2.0 LTR. (2SELC)		1986	274
L4	2.2 LTR. (5SFE)	This Set has Angled Dist. Ends	92-99	802
L4	2.2 LTR. (5SFE)		90-91	805
L4	2.2, 2.4 LTR. (20R, 22R)		75-82	229
L4	2.4 LTR. (22REC)		83-85	351

COROLLA

L4	1.1, 1.2 LTR.		68-79	132
L4	1.6 LTR. (4AFE) F/inj. Eng.	Cap Wire Assembly	88-93	397Y
L4	1.6 LTR. (4AGE)	5mm Cable Type Wire Set	89.08-91	439
L4	1.6 LTR. (4AGE, 4AGEC)	Including GTS & FX16 Models	85-89.08	292
L4	1.6 LTR. (4AF) Carb. Eng.	Cap Wire Assembly	88-90	396Y
L4	1.6 LTR. (4AC, 4ALC)	Including FX Models	83-88	291
L4	1.6, 1.8 LTR. (4AFE, 7AFE)	5mm Cable Type Wire Set	93-97	485
L4	1.6, 1.8 LTR. (2TC, 3TC)		71-82	133
L4	1.8 LTR. (1ZZFE)	Direct Ignition Coil Unit (4 Required)	00 on	5005
L4	1.8 LTR. (1ZZFE)		98-00	678

CORONA

L4	2.2, 2.4 LTR. (20R, 22R)		75-82	229
----	--------------------------	--	-------	-----

CRESSIDA

L6	2.8 LTR. (5MGE)		83-88	253
L6	3.0 LTR. (7MGE)		89-92	388

ECHO

L4	1.5 LTR. DOHC (1NZFE)	Direct Ignition Coil Unit (4 Required)	00-05	5016
----	-----------------------	--	-------	------

HIGHLANDER

L4	2.4 LTR. (2AZFE)	Direct Ignition Coil Unit (4 Required)	01 on	5021
V6	3.0 LTR. (1MZFE)	Direct Ignition Coil Unit (6 Required)	01-03	5057

LAND CRUISER

L6	4.0 LTR. (3FE)		88-92	401
L6	4.2 LTR. (2F)		81-87	207
L6	4.5 LTR. (1FZFE)		92-97	490
V8	4.7 LTR. DOHC (2UZFE)	Direct Ignition Coil Unit (8 Required)	98-06	5051



CY.	APPLICATION	NOTES	YEAR	STI #
-----	-------------	-------	------	-------

TOYOTA - con't**MATRIX**

L4	1.8 LTR. (1ZZFE)	Direct Ignition Coil Unit (4 Required)	03 on	5005
----	------------------	--	-------	------

MR2

L4	1.6 LTR. (4AGZE)	Supercharged Eng.	87-89	449
L4	1.6 LTR. (4AGELC)		85-89	292
L4	1.8 LTR. (1ZZFE)	Direct Ignition Coil Unit (4 Required)	00 on	5005
L4	2.0 LTR. Turbo (3SGTE)		92.01-95	803
L4	2.0 LTR. Turbo (3SGTE)	For 7mm wire applications	90-92.01	477
L4	2.2 LTR. (5SFE)	This set has Square Top Plug Ends	92-95	802
L4	2.2 LTR. (5SFE)	This set has Round Top Plug Ends	90-91	805

PASEO

L4	1.5 LTR. (5EFE)		95.08-99	659^^
L4	1.5 LTR. (5EFE)	Direct Ignition Coil Unit (2 Required)	95.08-99	5020
L4	1.5 LTR. (5EFE)	Calif. Only	94.09-95.07	659^^
L4	1.5 LTR. (5EFE) Calif. Only	Direct Ignition Coil Unit (2 Required)	94.09-95.07	5020
L4	1.5 LTR. (5EFE)		91-95	442

PICKUP

L4	2.2, 2.4 LTR. (20R, 22R)		75-83	229
L4	2.4 LTR. (22REC)	5mm Cable Type Wire Set	92.08-95	488
L4	2.4 LTR. incl. Turbo (22R, 22REC, 22RTEC)		84-92	351
V6	3.0 LTR. (3VZE)		92-95	804
V6	3.0 LTR. (3VZE)		88-91	402

PREVIA

L4	2.4 LTR. (2TZFE)		90-97	438
----	------------------	--	-------	-----

PRIUS

L4	1.5 LTR. DOHC (1NZFXE)	Direct Ignition Coil Unit (4 Required)	00-05	5016
----	------------------------	--	-------	------

RAV4

L4	2.0 LTR. (1AZFE)	Direct Ignition Coil Unit (4 Required)	01-03	5021
L4	2.0 LTR. (3SFE)	This set has Straight Dist. Ends	97.09-01	634**
L4	2.0 LTR. (3SFE)	This Set has Angled Dist. Ends	96-97.09	802
L4	2.4 LTR. (2AZFE)	Direct Ignition Coil Unit (4 Required)	04 on	5021
V6	3.5 LTR. DOHC	Direct Ignition Coil Unit (6 Required)	06-07	5052

SEQUOIA

V8	4.7 LTR. DOHC (2UZFE)	Direct Ignition Coil Unit (8 Required)	01-06	5051
----	-----------------------	--	-------	------

SIENNA

V6	3.0 LTR. (1MZFE)	Direct Ignition Coil Unit (6 Required)	01-03	5057
V6	3.0 LTR. (1MZFE)	OE Wire Set Direct from Japan	98-00	652 OE^
V6	3.0 LTR. (1MZFE)	Three leads without Harness	98-00	652*
V6	3.0 LTR. (1MZFE)	Direct Ignition Coil Unit (3 Required)	98-00	5047
V6	3.5 LTR. DOHC	Direct Ignition Coil Unit (6 Required)	2007	5052

* This set contains three leads. Purchase three # 5047 coils for a complete tune-up.

** For Applications without Coil Leads.

^ This set contains three leads assembled in a harness. Purchase three # 5047 coils for a complete tune-up.

^^ This set contains two leads. Purchase two # 5020 coils for a complete tune-up.

CY.	APPLICATION	NOTES	YEAR	STI #
-----	-------------	-------	------	-------

TOYOTA - con't

SOLARA

L4	2.2 LTR. (5SFE)	This set has Straight Dist. Ends	99-01	634**
L4	2.4 LTR. (2AZFE)	Direct Ignition Coil Unit (4 Required)	02-04	5021
V6	3.0 LTR. (1MZFE)	OE Wire Set Direct from Japan	99-03	652 OE^
V6	3.0 LTR. (1MZFE)	Three leads without Harness	99-03	652*
V6	3.0 LTR. (1MZFE)	Direct Ignition Coil Unit (3 Required)	99-03	5047

SUPRA

L6	2.8 LTR. (5MGE)		82-85	253
L6	3.0 LTR. (2JZGE), Excl. Turbo		93-98	489
L6	3.0 LTR. (2JZGTE) Turbo	Direct Ignition Coil Unit (6 Required)	93-98	5003
L6	3.0 LTR. (7MGE)		86-92	388
L6	3.0 LTR. Turbo (7MGTE)		86-93	444

T100

L4	2.7 LTR. (3RZFE)	This set has Straight Dist. Ends	97.08-98	658
L4	2.7 LTR. (3RZFE)	This set has Angled Dist. Ends	93-97.08	628
V6	3.0 LTR. (3VZE)		93-94	804
V6	3.4 LTR. (5VZFE)	OE Wire Set w/Harness	95-98	644 OE~
V6	3.4 LTR. (5VZFE)	Three leads without Harness	95-98	644^^
V6	3.4 LTR. (5VZFE)	Direct Ignition Coil Unit (3 Required)	95-98	5015

TACOMA

L4	2.4 LTR. (2RZFE) 2WD	This set has Straight Dist. Ends	97.06-00	658
L4	2.4 LTR. (2RZFE) 2WD	This set has Angled Dist. Ends	95-97.06	628
L4	2.7 LTR. (3RZFE) 4WD	This set has Straight Dist. Ends	96.09-00	658
L4	2.7 LTR. (3RZFE) 4WD	This set has Angled Dist. Ends	95-96.09	628
V6	3.4 LTR. (5VZFE) 2WD & 4WD	OE Wire Set w/Harness	95-04	644 OE~
V6	3.4 LTR. (5VZFE) 2WD & 4WD	Three leads without Harness	95-04	644^^
V6	3.4 LTR. (5VZFE) 2WD & 4WD	Direct Ignition Coil Unit (3 Required)	95-04	5015

* This set contains three leads. Purchase three # 5047 coils for a complete tune-up.

** For Applications without Coil Leads.

^ This set contains three leads assembled in a harness. Purchase three # 5047 coils for a complete tune-up.

^^ This set contains three leads. Purchase three # 5015 coils for a complete tune-up.

~ This set contains three leads assembled in a harness. Purchase three # 5015 coils for a complete tune-up.



CY.	APPLICATION	NOTES	YEAR	STI #
-----	-------------	-------	------	-------

TOYOTA - con't

TERCEL

L4	1.5 LTR. (5EFE)		94-99	659*
L4	1.5 LTR. (5EFE)	Direct Ignition Coil Unit (2 Required)	94-99	5020
L4	1.5 LTR. (3EE)		93-94	486
L4	1.5 LTR. (3EE)	Cap Wire Assembly	91-92	395Y
L4	1.5 LTR. (3EE)	Cap Wire Assembly	1990	398Y
L4	1.5 LTR. (3E)	Cap Wire Assembly	87-90	395Y
L4	1.5 LTR. (3AC)		83-88	291

TUNDRA

V6	3.4 LTR. (5VZFE)	OE Wire Set w/Harness	99-04	644 OE^
V6	3.4 LTR. (5VZFE)	Three leads without Harness	99-04	644^^
V6	3.4 LTR. (5VZFE)	Direct Ignition Coil Unit (3 Required)	99-04	5015
V8	4.7 LTR. DOHC (2UZFE)	Direct Ignition Coil Unit (8 Required)	99-06	5051

VAN

L4	2.0, 2.2 LTR. (3YEC, 4YEC)		84-89	275
----	----------------------------	--	-------	------------

TRIUMPH

SPITFIRE

L4	1.3, 1.5 LTR.		74-80	146
----	---------------	--	-------	------------

TR7

L4	2.0 LTR.		75-81	129
----	----------	--	-------	------------

* This set contains two leads. Purchase two # 5020 coils for a complete tune-up.

^ This set contains three leads assembled in a harness. Purchase three # 5015 coils for a complete tune-up.

^^ This set contains three leads. Purchase three # 5015 coils for a complete tune-up.

CY.	APPLICATION	NOTES	YEAR	STI #
VOLKSWAGEN				
FOR CROSS REFERENCE FROM O.E. VOLKSWAGEN # TO STI, SEE PAGE # 107				
411, 412 (Type 4)				
H4	1.7, 1.8 LTR.		71-74	276E
BEETLE, KARMANN GHIA (Type 1)				
H4	1.2, 1.3, 1.5, 1.6 LTR.		53-79	101
CABRIO				
L4	2.0 LTR. (ABA)		95-02	455 w/Loom^
L4	2.0 LTR. (ABA)	#6N0 905 104 (Ign. Coil - 1 Required)	95-02	5010
CABRIOLET				
L4	1.8 LTR. (2H, JH)		85-93	324
CORRADO				
L4	1.8 LTR.		90-91	324
CORRADO (VR6)				
V6	2.8 LTR. (AAA) (For appl. without a Coil Lead)	From VIN #P-010001 on	93-95	430 NC^
V6	2.8 LTR. (AAA) (For appl. without a Coil Lead)	#021 905 106 (Coil Pack -1 Required)	93-95	5022
V6	2.8 LTR. (AAA) (For appl. with a Coil Lead)	Up to VIN #P-010000	92-93	430^
DASHER				
L4	1.5, 1.6 LTR.		74-80	400
EOS				
L4	2.0 LTR. DOHC (BPY)	Direct Ignition Coil Unit (4 Required)	2007	20127
EUROVAN				
L5	2.5 LTR. (ACU)	From VIN #S-045001 on	95-96	481/29**
L5	2.5 LTR. (AAF, ACU)	Up to VIN #S-045000	92-95	481*
L5	2.5 LTR. (AAF, ACU)	#6N0 905 104 (Ign. Coil - 1 Required)	92-96	5010
V6	2.8 LTR. (AXK)	Direct Ignition Coil Unit (6 Required)	01-04	11971T
V6	2.8 LTR. (AES)	#021 905 106 (Coil Pack -1 Required)	97-00	5022
V6	2.8 LTR. (AES)		97-00	655^
FASTBACK, SQUAREBACK (Type 3)				
H4	1.5 LTR.		66-67	102
H4	1.6 LTR.		68-73	103
FOX				
L4	1.8 LTR.		87-93	324

* This set includes a 420mm Coil Lead.

** This set includes a 720mm Coil Lead.

^ Order Part # 32Z for a Spark Plug Connector Removal Tool (page # 89) specifically designed for these applications.



CY.	APPLICATION	NOTES	YEAR	STI #
-----	-------------	-------	------	-------

VOLKSWAGEN - con't

GOLF, GTI				
L4	1.8 LTR. (AWW, AWD, AWP)	From Vin #1J-1-000-001 on (4 Required)	00-04	11961T
L4	1.8 LTR. (AWW, AWD)	Up to Vin #1J-Y-900-000 (4 Required)	00-01	5014^^
L4	1.8 LTR. (ACC)	Canada	93-97	324
L4	1.8 LTR.		85-92	324
L4	1.8 LTR. 16-Valve (PL)		87-89	319 w/Loom
L4	2.0 LTR. (AVH, AZG, BEV)	#06A 905 097 (Coil Pack - 1 Required)	00 on	5034
L4	2.0 LTR. (AVH, AZG, BEV)	Note: For AVH, AZG, BEV Eng. Only!	00 on	685^
L4	2.0 LTR. (AEG)	Note: For AEG Eng. Only!	99-01	632^
L4	2.0 LTR. (AEG)	#032 905 106B (Coil Pack -1 Required)	99-01	5012
L4	2.0 LTR. (ABA)		93-99	455 w/Loom^
L4	2.0 LTR. (ABA)	#6N0 905 104 (Ign. Coil - 1 Required)	93-99	5010
L4	2.0 LTR. 16-Valve (9A)	With Loom and Sensor Cable	90-92	319 PLUS
L4	2.0 LTR. 16-Valve (9A)	Sensor Cable Only	90-92	448N

GOLF, GTI (VR6)				
V6	2.8 LTR. (AFP)		99-02	656
V6	2.8 LTR. (AFP)	#021 905 106C (Coil Pack -1 Required)	99-02	5023
V6	2.8 LTR. (AAA) (For appl. without a Coil Lead)		95-99	430 NC^
V6	2.8 LTR. (AAA) (For appl. without a Coil Lead)	#021 905 106 (Coil Pack -1 Required)	95-99	5022
V6	2.8 LTR. (BDF)	Direct Ignition Coil Unit (6 Required)	02-04	20121

GOLF R32				
V6	3.2 LTR. (BJS)	Direct Ignition Coil Unit (6 Required)	2004	20122

GOLF V, GTI				
L4	2.0 LTR. DOHC (BPY)	Direct Ignition Coil Unit (4 Required)	06-07	20127

^ Order Part # 32Z for a Spark Plug Connector Removal Tool (page # 89) specifically designed for these applications.

^^ Square Top with Two Mounting Holes

CY.	APPLICATION	NOTES	YEAR	STI #
-----	-------------	-------	------	-------

VOLKSWAGEN - con't

JETTA, GLI

L4	1.6, 1.7 LTR.	With Push-On Dist. Terminals	80-84	114SX
L4	1.8 LTR. (AWW, AWD, AWP)	From Vin #1J-1-000-001 on (4 Required)	00-04	11961T
L4	1.8 LTR. (AWW, AWD)	Up to Vin #1J-Y-900-000 (4 Required)	00-01	5014^^
L4	1.8 LTR. (ACC)	Canada	93-95	324
L4	1.8 LTR.		84-92	324
L4	1.8 LTR. 16-Valve (PL)		87-89	319 w/Loom
L4	2.0 LTR. (AVH, AZG, BEV)	#06A 905 097 (Coil Pack - 1 Required)	00 on	5034
L4	2.0 LTR. (AVH, AZG, BEV)	Note: For AVH, AZG, BEV Eng. Only!	00 on	685^
L4	2.0 LTR. (AEG)	Note: For AEG Eng. Only!	99-01	632^
L4	2.0 LTR. (AEG)	#032 905 106B (Coil Pack -1 Required)	99-01	5012
L4	2.0 LTR. (ABA)		93-99	455 w/Loom^
L4	2.0 LTR. (ABA)	#6N0 905 104 (Ign. Coil - 1 Required)	93-99	5010
L4	2.0 LTR. 16-Valve (9A)	With Loom and Sensor Cable	90-92	319 PLUS
L4	2.0 LTR. 16-Valve (9A)	Sensor Cable Only	90-92	448N

JETTA, GLI (VR6)

V6	2.8 LTR. (AFP)		99 on	656
V6	2.8 LTR. (AFP)	#021 905 106C (Coil Pack -1 Required)	99 on	5023
V6	2.8 LTR. (AAA) (For appl. without a Coil Lead)	From VIN #P-004605 on	93-99	430 NC^
V6	2.8 LTR. (AAA) (For appl. without a Coil Lead)	#021 905 106 (Coil Pack -1 Required)	93-99	5022
V6	2.8 LTR. (AAA) (For appl. with a Coil Lead)	Up to VIN #P-004604	1993	430^
V6	2.8 LTR. (BDF)	Direct Ignition Coil Unit (6 Required)	02-04	20121

JETTA V, GLI

L4	2.0 LTR. DOHC (BPY)	Direct Ignition Coil Unit (4 Required)	06-07	20127
L5	2.5 LTR. DOHC (BGP, BGQ)	Direct Ignition Coil Unit (5 Required)	05-08	20127

NEW BEETLE

L4	1.8 LTR. (AWV, APH)	Up to Vin #1C-Y-499-000 (4 Required)	00-01	5014^^
L4	1.8 LTR. (AWV, APH) From Vin #1Y-1-400-001 on	Direct Ignition Coil Unit (4 Required)	99 on	11961T
L4	2.0 LTR. (AVH, AZG, BDC, BGD, BEV)	#06A 905 097 (Coil Pack - 1 Required)	01 on	5034
L4	2.0 LTR. (AVH, AZG, BDC, BGD, BEV)	AVH, AZG, BDC, BGD, BEV Eng. Only	01 on	685^
L4	2.0 LTR. (AEG)	Note: For AEG Eng. Only!	98-01	632^
L4	2.0 LTR. (AEG)	#032 905 106B (Coil Pack - 1 Required)	98-01	5012
L5	2.5 LTR. DOHC (BPR, BPS)	Direct Ignition Coil Unit (5 Required)	06-08	20127

PASSAT

L4	1.8 LTR. (AWM)	Direct Ignition Coil Unit (4 Required)	01-03	11961T
L4	1.8 LTR. (AUG)	Direct Ignition Coil Unit (4 Required)	00-01	11961T
L4	1.8 LTR. (ATW)	Direct Ignition Coil Unit (4 Required)	00-01	5014^^
L4	1.8 LTR. (AEB)	Direct Ignition Coil Unit (4 Required)	98-99	11869
L4	1.8 LTR. (PG)	Canada supercharged Eng.	92-93	324
L4	2.0 LTR. DOHC (BPY)	Direct Ignition Coil Unit (4 Required)	06-07	20127
L4	2.0 LTR. (ABA)		95-96	455 w/Loom^
L4	2.0 LTR. (ABA)	#6N0 905 104 (Ign. Coil - 1 Required)	95-96	5010
L4	2.0 LTR.	With Loom and Sensor Cable	90-93	319 PLUS
L4	2.0 LTR.	Sensor Cable Only	90-93	448N
W8	4.0 LTR. (BDP)	Direct Ignition Coil Unit (8 Required)	02-04	20112

^ Order Part # 32Z for a Spark Plug Connector Removal Tool (page # 89) specifically designed for these applications.

^^ Square Top with Two Mounting Holes



CY.	APPLICATION	NOTES	YEAR	STI #
-----	-------------	-------	------	-------

VOLKSWAGEN - con't**PASSAT (V6)**

V6	2.8 LTR. Right Bank (AHA, ATQ)	Cyl 1, 2 & 3	98 on	233R200
V6	2.8 LTR. Left Bank (AHA, ATQ)	Cyl 4, 5 & 6	98 on	233L200
V6	2.8 LTR. (AHA, ATQ)	Ignition Coil Pack (078905104)	98 on	11866T**

PASSAT (VR6)

V6	2.8 LTR. (AAA) (For appl. without a Coil Lead)		94-97	430 NC^
V6	2.8 LTR. (AAA) (For appl. without a Coil Lead)	#021 905 106 (Coil Pack -1 Required)	94-97	5022
V6	2.8 LTR. (AAA) (For appl. with a Coil Lead)		1993	430^

PHAETON

V8	4.2 LTR.	Direct Ignition Coil Unit (8 Required)	04-06	20115
W12	6.0 LTR. (BAP)	Direct Ignition Coil Unit (12 Required)	04-06	20112

QUANTUM (4 CYL)

L4	1.7 LTR.		82-83	400
L4	1.8 LTR. (JN)	With OEM Type Screw-On Dist. Ends	1985	324

QUANTUM (5 CYL)

L5	2.2 LTR.	With OEM Type Screw-On Dist. Ends	85-88	500S
L5	2.2 LTR.	With OEM Type Screw-On Dist. Ends	85-88	090 w/Loom*
L5	2.2 LTR.	With OEM Type Push-On Dist. Ends	83-84	500
L5	2.2 LTR.	With OEM Type Push-On Dist. Ends	83-84	500 w/Loom*

RABBIT, GTI, PICKUP

L4	1.5, 1.6, 1.7, 1.8 LTR.		75-84	114SX
L5	2.5 LTR. DOHC	Direct Ignition Coil Unit (5 Required)	06-08	20127

SCIROCCO

L4	1.5, 1.6, 1.7, 1.8 LTR.		75-84	114SX
L4	1.8 LTR. 16-Valve (PL)		87-88	319 w/Loom
L4	1.8 LTR. (JH)	Canada	88-89	324
L4	1.8 LTR. (JH)		85-88	324

THING (Type 1)

H4	1.6 LTR.		73-74	101
----	----------	--	-------	-----

TOUAREG

V6	3.2 LTR.	Direct Ignition Coil Unit (6 Required)	04-06	20122
V8	4.2 LTR.	Direct Ignition Coil Unit (8 Required)	04-06	20115

TRANSPORTER (Type 2)

L4	1.2, 1.5, 1.6 LTR.		55-71	101
L4	1.7, 1.8, 2.0 LTR.		72-79	276E^^

VANAGON

L4	1.9, 2.1 LTR.	For Vehicles w/ Screw-On Dist. Ends	84-92	276
L4	2.0 LTR.	For Vehicles w/ Push-On Dist. Ends	80-83	276E^^

* Optional set assembled in an OE type Loom.

** Ignition Module used in conjunction with #233L200 & #233R200.

^ Order Part # 32Z for a Spark Plug Connector Removal Tool (page # 89) specifically designed for these applications.

^^ This set includes an 11" & 21" Coil Lead.



CY.	APPLICATION	NOTES	YEAR	STI #
VOLVO				
(ALL VOLVO CABLE SETS INCLUDE A COIL LEAD)				
FOR CROSS REFERENCE FROM O.E. VOLVO # TO STI, SEE PAGE # 106				
122				
L4	1.6, 1.8 LTR.		57-68	115
140 SERIES				
L4	1.8, 2.0 LTR.		67-74	115
160 SERIES				
L6	3.0 LTR.		69-75	116
1800				
L4	1.8, 2.0 LTR.		61-73	115
240 SERIES, DL, GL				
L4	2.0 LTR. (B20F)		1975	115
L4	2.1 LTR. (B21F)	With 30" Coil Lead	76-80	244
L4	2.1, 2.3 LTR. (B21FT, B230F)	With 23" Coil Lead	81-87	223*
L4	2.3 LTR. (B230F)		88-93	328**
260 SERIES				
L6	2.7, 2.8 LTR. (B27F, B28F)		76-82	262
740				
L4	2.3 LTR. incl. Turbo (B230F, B230FT)	With 22" Coil Lead	88-92	331**
L4	2.3 LTR. (B230F)	With REGINA REX COIL ONLY	89-92	331L
L4	2.3 LTR. 16-Valve (B234F)	With 22" Coil Lead	89-90	331
L4	2.3 LTR. incl. Turbo (B230F, B230FT)		85-87	277*
760				
L4	2.3 LTR. Turbo (B230FT)	With 22" Coil Lead	88-91	331**
L4	2.3 LTR. Turbo (B230FT)		85-87	277*
L6	2.8 LTR. (B280F)	Equipped with Sensor Cable	86-90	410
L6	2.8 LTR. (B28F)		83-85	262
780				
L4	2.3 LTR. Turbo (B230FT)	With 22" Coil Lead	89-91	331
L6	2.8 LTR. (B280F)	Equipped with Sensor Cable	87-90	410
850				
L5	2.3, 2.4 LTR. (B5234F/FT, B5254F/FT)	This set contains a Coil Lead	93-97	454
L5	2.3, 2.4 LTR. (B5234F/FT, B5254F/FT)	#1275174 (Ign. Coil - 1 Required)	93-97	5025
940				
L4	2.3 LTR. (B230F)	With REGINA REX COIL ONLY	94-95	328L
L4	2.3 LTR. incl. Turbo (B230F/FT, B234F)		91-95	331
COUPE, GLE				
L6	2.8 LTR. (B28F)		80-82	262

* Use with Threaded type Spark Plugs. (without the shell)

** Use with SAE type Spark Plugs. (with the shell)



CY.	APPLICATION	NOTES	YEAR	STI #
-----	-------------	-------	------	-------

VOLVO - con't

(ALL VOLVO CABLE SETS INCLUDE A COIL LEAD)

C70

L5	2.3 LTR. DOHC Turbo		1998	454
L5	2.3 LTR. DOHC Turbo	#1275174 (Ign. Coil - 1 Required)	1998	5025
L5	2.3, 2.4 LTR. Turbo	Direct Ignition Coil Unit (5 Required)	99-04	5056
L5	2.4 LTR. DOHC incl. Turbo		1998	454
L5	2.4 LTR. DOHC incl. Turbo	#1275174 (Ign. Coil - 1 Required)	1998	5025

S60

L5	2.3 LTR. Turbo	Direct Ignition Coil Unit (5 Required)	01-04	5056
L5	2.4 LTR. Incl. Turbo	Direct Ignition Coil Unit (5 Required)	01-05	5056
L5	2.5 LTR. Turbo	Direct Ignition Coil Unit (5 Required)	03-05	5056

S70

L5	2.3 LTR. Turbo	Direct Ignition Coil Unit (5 Required)	99-00	5056
L5	2.3 LTR. DOHC Turbo		1998	454
L5	2.3 LTR. DOHC Turbo	#1275174 (Ign. Coil - 1 Required)	1998	5025
L5	2.4 LTR. Incl. Turbo	Direct Ignition Coil Unit (5 Required)	99-00	5056
L5	2.4 LTR. DOHC incl. Turbo		1998	454
L5	2.4 LTR. DOHC incl. Turbo	#1275174 (Ign. Coil - 1 Required)	1998	5025

S80

L5	2.5 LTR. Turbo	Direct Ignition Coil Unit (5 Required)	05-06	5056
L6	2.9 LTR. Incl. Turbo	Direct Ignition Coil Unit (6 Required)	99-05	5056
L6	2.8 LTR. Turbo	Direct Ignition Coil Unit (6 Required)	99-02	5056

V70

L5	2.3 LTR. Turbo	Direct Ignition Coil Unit (5 Required)	99-04	5056
L5	2.3 LTR. DOHC Turbo		1998	454
L5	2.3 LTR. DOHC Turbo	#1275174 (Ign. Coil - 1 Required)	1998	5025
L5	2.4 LTR. incl. Turbo	Direct Ignition Coil Unit (5 Required)	99-06	5056
L5	2.4 LTR. DOHC incl. Turbo		1998	454
L5	2.4 LTR. DOHC incl. Turbo	#1275174 (Ign. Coil - 1 Required)	1998	5025
L5	2.5 LTR. Turbo	Direct Ignition Coil Unit (5 Required)	03-06	5056

XC70

L5	2.5 LTR. Turbo	Direct Ignition Coil Unit (5 Required)	03-06	5056
----	----------------	--	-------	-------------

XC90

L5	2.5 LTR.	Direct Ignition Coil Unit (5 Required)	03-04	5056
L6	2.9 LTR.	Direct Ignition Coil Unit (6 Required)	03-04	5056

GLT

L4	2.1 LTR. Turbo (B21FT)		80-85	223
----	------------------------	--	-------	------------

S40

L4	1.9 LTR. DOHC incl. Turbo (B4204)		00 on	697***
----	-----------------------------------	--	-------	---------------

V40

L4	1.9 LTR. DOHC incl. Turbo (B4204)		00 on	697***
----	-----------------------------------	--	-------	---------------

*** This set has only two leads. The other two cylinders use Direct Ignition (N/A).

CY.	APPLICATION	NOTES	YEAR	STI #
YUGO				

GV PLUS

L4	1.3 LTR.	With OEM Type Plug Ends	90-92	411
----	----------	-------------------------	-------	-----

GV, GVL, GVX

L4	1.1, 1.3 LTR.		86-90	220
----	---------------	--	-------	-----

SPARK PLUG CONNECTOR REMOVAL TOOLS

These puller tools are ideal for when the engine is **HOT**,
and the spark plug connectors must be changed **NOW!**

Pulling on the connectors with improper pincers will often damage the connector or the plug.
Our pullers are the easy and proper way of removing ignition cable set leads from Spark Plugs.

GENERAL PURPOSE TOOL

(Part # 28Z)

This puller tool can be used for most applications



VW/AUDI PULLER TOOL

(Part # 32Z)

This sturdy steel tool has been specifically designed to safely remove the Spark Plug Connector from specific VW/AUDI applications. It is also Manganese Phosphate coated for durability and rust protection.



BECK TO STI

BECK PART #	STI PART #	BECK PART #	STI PART #	BECK PART #	STI PART #
174-6947	394Y	175-4878	500 w/Loom	175-5779	253
174-6948	396Y	175-4944	315	175-5780	199
174-6949	395Y	175-5073	149	175-5780	314
174-6962	397Y	175-5198	113B	175-5781	113F
174-6983	398Y	175-5206	113D/8	175-5782	318
175-1270	113D/8	175-5206	113G/8	175-5783	113B
175-1528	199	175-5214	230	175-5784	276
175-1528	227	175-5255	150	175-5785	258
175-1528	314	175-5305	181	175-5785	335
175-2047	146	175-5511	140	175-5786	363
175-2500	101	175-5529	320	175-5787	275
175-2500	102	175-5537	110 w/Loom	175-5788	274
175-2500	103	175-5537	530 w/Loom	175-5789	217
175-2500	276E	175-5578	187	175-5791	284
175-2559	102	175-5578	227	175-5791	284B
175-2583	276E	175-5594	315	175-5792	279
175-2583	107	175-5594	334	175-5794	390
175-2781	129	175-5651	126	175-5796	417
175-2815	146	175-5669	324	175-5797	315
175-2914	113	175-5669	400	175-5797	334
175-2997	400	175-5677	924T	175-5798	337
175-3086	306	175-5689	928	175-5798	352
175-3144	286	175-5719	406	175-5799	135
175-3581	220	175-5727	262	175-5800	344
175-4209	146	175-5744	217	175-5800	348
175-4217	210	175-5748	103	175-5804	133
175-4282	132	175-5749	111	175-5805	229
175-4290	133	175-5749	113E	175-5805	351
175-4316	109	175-5750	114SX	175-5808	363
175-4316	109L	175-5751	115	175-5809	337
175-4340	210	175-5752	129	175-5809	352
175-4373	118	175-5760	221	175-5811	187
175-4407	135	175-5762	265	175-5813	339
175-4506	146	175-5762	287	175-5814	301
175-4746	229	175-5764	113	175-5814	471
175-4811	244	175-5765	115	175-5816	221
175-4829	199	175-5766	321	175-5817	406
175-4829	314	175-5767	286	175-5818	307
175-4845	406	175-5768	236	175-5818	372
175-4860	924	175-5769	260	175-5819	297
175-4878	090	175-5773	535 w/loom	175-5820	404
175-4878	090 w/Loom	175-5777	223	175-5821	306
175-4878	500	175-5778	291	175-5822	314

FOR REFERENCE ONLY!

REFER TO OUR MODEL LISTINGS FOR THE CORRECT APPLICATION

BECK TO STI

BECK PART #	STI PART #
175-5823	314
175-5824	279
175-5826	114SX
175-5827	236
175-5830	419
175-5831	260
175-5832	309
175-5833	362
175-5834	314
175-5836	324
175-5837	306
175-5838	284B
175-5839	351
175-5841	428
175-5842	306
175-5843	292
175-5844	324 STD
175-5844	324
175-5844	319 w/Loom
175-5844	319 Plus
175-5846	324 STD
175-5846	324
175-5846	400
175-5847	944
175-5848	292
175-5849	236
175-5850	361
175-5852	444
175-5853	362
175-5854	327
175-5855	388
175-5856	227
175-5856	314
175-5857	090
175-5857	090 w/Loom
175-5858	314
175-5859	314
175-5860	227
175-5861	310
175-5861	602
175-5862	227
175-5863	314
175-5864	215

BECK PART #	STI PART #
175-5864	337
175-5864	352
175-5865	187
175-5866	348
175-5867	284
175-5868	343
175-5869	409
175-5870	150
175-5872	332
175-5874	299
175-5875	457
175-5876	448
175-5877	312
175-5879	292
175-5880	429
175-5882	344
175-5883	135
175-5884	135
175-5885	260
175-5886	334
175-5887	496
175-5888	347
175-5889	347
175-5891	414
175-5892	413
175-5893	339
175-5894	334
175-5894	382
175-5896	402
175-5897	410
175-5898	401
175-5899	730 w/Loom
175-5901	365
175-5902	383
175-5903	362
175-5904	340
175-5906	408
175-5907	406
175-5908	277
175-5908	331
175-5909	298
175-5909	299
175-5910	324

BECK PART #	STI PART #
175-5912	101
175-5913	113M
175-5914	113N
175-5915	931
175-5916	364
175-5917	113L/37
175-5918	360 w/Loom
175-5919	090
175-5919	090 w/Loom
175-5920	359 w/Loom
175-5921	358 w/Loom
175-5922	301
175-5923	405
175-5924	187
175-5924	314
175-5926	945
175-5927	377
175-5928	931
175-5929	384
175-5930	471
175-5931	284B
175-5932	185
175-5933	265
175-5933	306
175-5934	376
175-5935	207
175-5936	412
175-5938	287
175-5955	325 w/Loom
175-5956	378
175-5957	370
175-5958	384
175-5959	462
175-5960	374
175-5961	314
175-5962	330
175-5963	422
175-5965	378
175-5966	460
175-5967	388
175-5968	401
175-5969	449
175-5970	215

FOR REFERENCE ONLY!

REFER TO OUR MODEL LISTINGS FOR THE CORRECT APPLICATION

BECK TO STI

BECK PART #	STI PART #	BECK PART #	STI PART #	BECK PART #	STI PART #
175-5971	215	175-6019	384	175-6063	474
175-5971	352	175-6020	480	175-6064	493
175-5972	425	175-6021	469	175-6065	370
175-5973	461	175-6023	605	175-6066	473
175-5974	407	175-6023	664	175-6067	384
175-5975	456	175-6024	331	175-6068	450
175-5976	460	175-6025	473	175-6069	451
175-5980	424	175-6026	430	175-6070	379
175-5982	423	175-6027	430	175-6071	460
175-5983	314	175-6028	113S/39	175-6072	328L
175-5984	426	175-6029	113R	175-6073	454
175-5985	453	175-6030	113R	175-6074	601
175-5986	427	175-6031	113V	175-6075	471
175-5987	944	175-6032	402	175-6076	501
175-5988	331L	175-6033	431	175-6077	603
175-5989	331	175-6034	443	175-6078	500
175-5990	612	175-6035	436	175-6078	500 w/Loom
175-5991	466	175-6036	323	175-6080	355
175-5992	465	175-6037	608	175-6081	610
175-5992	609	175-6038	492	175-6082	618
175-5993	463	175-6039	113D/8	175-6083	622
175-5995	432 w/Loom	175-6040	440	175-6084	113R
175-5996	113K	175-6041	489	175-6085	113R
175-5997	460	175-6042	802	175-6086	623
175-5998	434	175-6043	805	175-6087	185
175-5999	420	175-6044	439	175-6087	611
175-6000	328	175-6045	485	175-6088	500
175-6001	314	175-6046	490	175-6088	500 w/Loom
175-6002	406	175-6047	803	175-6089	391 w/Loom
175-6003	379	175-6048	488	175-6092	621
175-6005	421	175-6049	804	175-6093	477
175-6006	452	175-6050	486	175-6094	319 w/Loom
175-6007	113S/39	175-6051	805	175-6096	426
175-6008	368	175-6052	802	175-6097	614
175-6009	453	175-6053	802	175-6098	492
175-6010	347	175-6054	384	175-6099	090
175-6011	606	175-6056	803	175-6099	090 w/Loom
175-6013	421	175-6057	442	175-6100	432 w/Loom
175-6014	409	175-6058	489	175-6101	495
175-6015	604	175-6059	409	175-6102	649
175-6016	604	175-6060	360 w/Loom	175-6103	619
175-6017	409	175-6061	391 w/Loom	175-6104	679
175-6018	481	175-6062	477	175-6105	620

FOR REFERENCE ONLY!

REFER TO OUR MODEL LISTINGS FOR THE CORRECT APPLICATION

BMW TO STI

BMW PART #	STI PART #	BMW PART #	STI PART #
12-12-1-247-361	484	12-12-1-727-686	467 w/Loom
12-12-1-247-366	484	12-12-1-731-356	415 w/Loom
12-12-1-247-521	491 w/Loom	12-12-1-731-357	416 w/Loom
12-12-1-247-521	491S w/Loom	12-12-1-733-006	415 w/Loom
12-12-1-266-706	322 w/Loom	12-12-1-733-020	416 w/Loom
12-12-1-277-632	321	12-12-1-733-218	353 w/Loom
12-12-1-279-550	730 w/Loom	12-12-1-733-219	354 w/Loom
12-12-1-307-171	358 w/Loom	12-12-1-741-331	246L w/Loom
12-12-1-311-803	359 w/Loom	12-12-1-741-330	246R w/Loom
12-12-1-359-990	110 w/Loom	12-12-1-741-332	246R w/Loom
12-12-1-360-603	320	12-12-1-741-333	246L w/Loom
12-12-1-360-842	109	12-12-1-742-887	238R w/Loom
12-12-1-360-842	109L (Long Coil Wire)	12-12-1-742-888	238L w/Loom
12-12-1-705-697	318	12-13-1-317-232	11863T
12-12-1-705-714	325 w/Loom	12-13-1-317-585	11857T
12-12-1-705-716	530 w/Loom	12-13-1-402-440	11857T
12-12-1-705-718	535 w/Loom	12-13-1-404-102	11863T
12-12-1-710-664	528 w/Loom	12-13-1-404-309	11864T
12-12-1-714-154	360 w/Loom	12-13-1-703-359	11856T
12-12-1-716-939	391 w/Loom	12-13-1-703-360	11855T
12-12-1-717-646	467 w/Loom	12-13-1-712-219	20110
12-12-1-718-606	353 w/Loom	12-13-1-712-223	20110
12-12-1-718-607	354 w/Loom	12-13-1-726-177	11856T
12-12-1-720-525	391 w/Loom	12-13-1-726-178	11856T
12-12-1-720-529	360 w/Loom	12-13-1-727-108	11855T
12-12-1-720-530	360 w/Loom	12-13-1-729-842	11856T
12-12-1-721-932	432 w/Loom	12-13-1-730-520	11855T
12-12-1-721-932	432S w/Loom	12-13-1-730-765	11856T
12-12-1-722-253	391 w/Loom	12-13-1-731-884	11856T
12-12-1-725-039	354 w/Loom	12-13-1-748-017	11860T
12-12-1-725-040	353 w/Loom	12-13-1-748-018	11859T
12-12-1-726-037	360 w/Loom	12-13-9-066-468	11855T
12-12-1-727-100	432 w/Loom	82-11-0-393-996	702

BMW DIRECT IGNITION UNITS (Parts List)

BMW Direct Ignition Coil Units are made up of a Coil and a Connector which can be purchased separately.

BREMI DIRECT IGN.

UNIT #	COIL #	CONNECTOR # - LENGTH	CONNECTOR O.E. #
11856T	11855T	13249/1.8 - (115mm)	12-13-1-730-412
		13249/1.8 - (115mm)	12-13-1-730-521
11857T	11855T	13249B1.8 - (122 mm)	12-13-1-402-463
11863T	11855T	13296/1.8 - (151 mm)	12-13-1-404-101
11860T	11859T	13249/1.8 - (115 mm)	12-13-1-730-412
		13249/1.8 - (115 mm)	12-13-9-067-831
11864T	11859T	13249E1.8 - (122 mm)	12-13-1-404-308

FOR REFERENCE ONLY!

REFER TO THE BMW MODEL LISTINGS FOR THE CORRECT APPLICATION.

BOSCH TO STI

BOSCH PART #	STI PART #
00-083	11856T
00-088	5004
00-106	5025
00-110	11860T
00-119	5004
09-001	101
09-003	102
09-004	103
09-005	114SX
09-006	114
09-007	400
09-008	500
09-009	911
09-010	320
09-011	110 w/Loom
09-012	109
09-012	109L
09-013	601
09-014	700
09-015	700
09-016	728
09-017	719
09-018	757
09-019	681
09-020	924
09-022	315
09-023	113
09-024	113B
09-025	686
09-026	660
09-027	113C/8
09-028	113D/8
09-029	113U
09-030	111
09-030	113E
09-031	433
09-032	115
09-034	262
09-035	460
09-036	129
09-037	330
09-038	299
09-039	126

BOSCH PART #	STI PART #
09-040	260
09-041	146
09-042	146
09-043	150
09-044	149
09-045	146
09-046	133
09-048	199
09-056	229
09-062	135
09-065	210
09-070	135
09-071	315
09-072	306
09-074	230
09-077	181
09-079	132
09-080	220
09-083	425
09-088	187
09-088	227
09-089	314
09-091	324
09-091	400
09-095	262
09-096	928
09-097	133
09-098	229
09-100	292
09-102	321
09-104	630
09-105	406
09-106	265
09-106	306
09-113	199
09-113	314
09-114	286
09-115	944
09-116	472
09-119	417
09-120	417
09-122	314
09-123	626

BOSCH PART #	STI PART #
09-124	273
09-124	335
09-124	363
09-125	315
09-125	334
09-127	805
09-128	924T
09-131	291
09-133	207
09-134	460
09-136	617
09-137	318
09-138	312
09-139	274
09-140	601
09-141	113F
09-144	325 w/Loom
09-145	535 w/Loom
09-146	113L/37
09-147	113M
09-148	113N
09-150	434
09-151	968
09-152	324 STD
09-154	221
09-155	258
09-155	337
09-155	352
09-156	332
09-157	339
09-159	344
09-160	348
09-162	301
09-163	299
09-163	330
09-164	113G/8
09-166	428
09-167	307
09-167	372
09-168	113K
09-170	129
09-171	107
09-171	276E

FOR REFERENCE ONLY!
REFER TO OUR MODEL LISTINGS FOR THE CORRECT APPLICATION

BOSCH TO STI

BOSCH PART #	STI PART #	BOSCH PART #	STI PART #	BOSCH PART #	STI PART #
09-172	275	09-223	352	09-265	931
09-175	390	09-224	331	09-266	931
09-177	405	09-225	328L	09-267	102
09-178	236	09-226	401	09-268	501
09-178	297	09-227	292	09-269	400
09-180	276	09-229	185	09-270	324
09-182	298	09-230	410	09-271	114SX
09-184	404	09-231	328	09-272	276
09-185	334	09-232	223	09-273	324
09-186	427	09-232	244	09-274	423
09-188	362	09-233	223	09-275	327
09-189	429	09-233	244	09-276	456
09-190	361	09-234	331L	09-277	343
09-190	383	09-235	277	09-278	443
09-191	090	09-236	331	09-278	446
09-192	340	09-237	287	09-283	722
09-195	365	09-238	364	09-284	625
09-197	418	09-239	471	09-285	761
09-198	351	09-240	406	09-286	221
09-199	402	09-241	453	09-292	711
09-200	407	09-242	463	09-294	495
09-201	319 PLUS	09-243	462	09-297	649
09-201	319 w/Loom	09-244	408	09-300	267
09-203	409	09-245	452	09-301	267
09-204	331	09-246	425	09-303	612
09-205	377	09-247	448	09-306	704
09-206	679	09-248	457	09-308	498
09-207	314	09-249	374	09-312	412
09-208	413	09-250	378	09-315	786
09-209	376	09-251	460	09-321	497
09-210	382	09-252	460	09-322	616
09-211	347	09-253	461	09-323	615
09-211	376	09-254	379	09-324	803
09-213	414	09-255	376	09-325	488
09-215	310	09-256	449	09-326	486
09-216	388	09-257	419	09-327	439
09-217	444	09-258	432 w/Loom	09-328	604
09-219	227	09-259	911	09-329	601
09-220	422	09-260	930	09-330	795
09-221	199	09-261	945	09-331	323
09-222	426	09-262	970	09-332	451
09-223	215	09-263	970	09-333	602
09-223	337	09-264	434	09-334	603

FOR REFERENCE ONLY!

REFER TO OUR MODEL LISTINGS FOR THE CORRECT APPLICATION

BOSCH TO STI

BOSCH PART #	STI PART #
09-335	469
09-336	436
09-337	477
09-338	430
09-339	455 w/Loom
09-340	454
09-341	368
09-342	481
09-344	465
09-345	450
09-346	608
09-347	609
09-348	493
09-351	805
09-352	442
09-353	489
09-354	490
09-355	727
09-356	431
09-357	474
09-358	492
09-359	624
09-360	610
09-361	619
09-362	746
09-363	614
09-364	627
09-365	476
09-366	113R
09-367	113V
09-368	618
09-369	621
09-370	622
09-371	623
09-372	611
09-373	438
09-374	779
09-377	768
09-378	641
09-379	699
09-380	712
09-381	762
09-382	113S/39

BOSCH PART #	STI PART #
09-384	113S/39
09-385	483E
09-386	483
09-387	113R
09-388	482
09-389	482
09-390	637
09-391	628
09-399	747
09-400	760
09-401	639
09-402	720
09-404	363
09-410	733
09-414	312
09-415	279
09-416	217
09-418	616
09-419	678
09-420	651
09-421	650
09-422	382
09-423	726
09-424	667
09-425	610
09-428	368
09-428	791
09-429	669
09-430	654
09-431	673
09-432	653
09-433	657
09-434	671
09-435	670
09-436	652 OE & 652
09-437	418
09-438	662
09-439	640
09-440	636
09-441	659
09-442	658
09-443	672
09-444	644 OE & 644

BOSCH PART #	STI PART #
09-445	492
09-446	626
09-447	638
09-448	766
09-449	719
09-450	770
09-451	754
09-452	782
09-453	777
09-454	750
09-455	756
09-456	714
09-457	748
09-458	765
09-459	781
09-460	693
09-461	692
09-463	694
09-464	695
09-465	703
09-466	647
09-467	717
09-468	684
09-469	645
09-470	725
09-471	689
09-472	687
09-473	688
09-474	680
09-475	634
09-476	690
09-477	713
09-478	672
09-479	673
09-480	651
09-481	645
09-482	646
09-483	677
09-484	715
09-485	233L200
09-485	233R200
09-486	655
09-487	632

FOR REFERENCE ONLY!

REFER TO OUR MODEL LISTINGS FOR THE CORRECT APPLICATION

BOSCH TO STI

BOSCH PART #	STI PART #	BOSCH PART #	STI PART #	BOSCH PART #	STI PART #
09-488	656	09-713	738	09-795	806
09-489	718	09-714	475	09-796	676
09-491	745	09-719	739	09-797	647
09-492	743	09-720	771	09-798	724
09-493	744	09-725	468	09-799	702 & 702R
09-494	663	09-727	759	09-801	118
09-495	718	09-733	752	09-802	284
09-496	789	09-734	751	09-804	253
09-497	694	09-735	740	09-805	292
09-499	811	09-737	664	09-806	217
09-500	090 w/Loom	09-739	749	09-806	279
09-502	325 w/Loom	09-740	676	09-807	236
09-503	535 w/Loom	09-741	741	09-808	309
09-506	391 w/Loom	09-743	742	09-809	284B
09-507	391 w/Loom	09-744	775	09-810	729
09-508	360 w/Loom	09-745	794	09-811	384
09-509	360 w/Loom	09-754	769	09-812	790
09-510	358 w/Loom	09-755	764	09-813	424
09-511	359 w/Loom	09-763	691	09-814	420
09-513	530 w/Loom	09-764	778	09-815	421
09-514	500 w/Loom	09-765	696	09-816	404
09-515	528 w/Loom	09-766	732	09-818	370
09-614	698	09-767	755	09-819	473
09-616	734	09-768	701	09-820	802
09-619	496	09-769	774	09-821	804
09-629	735	09-770	698	09-822	485
09-631	705	09-775	709	09-823	440
09-633	736	09-777	807	09-824	466
09-634	605	09-779	763	09-825	370
09-635	737	09-780	710	09-826	620
09-638	776	09-781	753	09-827	648
09-642	606	09-782	674	09-828	370
09-645	480	09-783	682	09-829	370
09-649	706	09-784	674	09-830	384
09-651	600	09-785	675	09-831	384
09-686	780	09-787	773	09-832	217
09-691	801	09-788	732	09-833	217
09-693	721	09-789	716	09-834	370
09-696	783	09-790	793	09-835	665
09-700	707	09-791	699	09-836	662
09-708	708	09-792	772	09-838	670
09-710	494	09-793	810	09-839	685
09-712	767	09-794	787	09-840	757

FOR REFERENCE ONLY!

REFER TO OUR MODEL LISTINGS FOR THE CORRECT APPLICATION

MERCEDES-BENZ

STI #	BERU #	MB #
113E With Two Angled Shielded Plug	ZEF-362	-----
112 With Brown, non shielded Plug	ZEF-363	-----
113 With One Angled Shielded Plug	ZEF-364	-----
113A	ZEF-364	-----
113C/8 Push-on Dist. Terminals	ZEF-402/406	Q4-15-0030
113G/8 (36" Coil Wire)	ZEF-463/669	Q4-15-0029
113F	ZEF-466	Q4-15-0025
113B	ZEF-470	
113D/8 (30" Coil Wire) Screw-On Dist. Terminals	ZEF-471	-----
113K With SAE Type Dist. Conn.	ZEF-501	-----

STI #	BERU #	MB #
113L/37 (37" Coil)	ZEF-558	Q4-15-0027
113M	ZEF-566/670	Q4-15-0028
113N	ZEF-585	Q4-15-0026
113S/39	ZEF-597	-----
113R	ZEF-598	-----
113V	ZEF-634	-----
113R	ZEF-635	-----
483	ZEF-641	Q4-15-0034
483E	ZEF-641	Q4-15-0033
482	ZEF-642	Q4-15-0031
483B	ZLE-234	000-159-36-42
483B	ZLE-247	000-159-41-42
642	-----	Q4-15-0032
661	ZEF-1488	-----
643	ZEF-1442	-----

NGK TO STI

NGK PART #	NGK WIRE QUALITY	STI SILICONE PART #
RC-EUX006	SILICONE	368
RC-EUX022	SILICONE	469
RC-EUX012	SILICONE	287
RC-FDX013	SILICONE	703
RC-FDZ036	SILICONE	480
RC-FDZ057	SILICONE	696
RC-FDZ061	SILICONE	720
RC-FDZ066	SILICONE	675
RC-FDZ070	SILICONE	754
RC-FDZ074	SILICONE	694
RC-FDZ080	SILICONE	692
RC-FDZ081	SILICONE	692
RC-FDZ085	SILICONE	787
RC-FDZ086	SILICONE	789
RC-FDZ089	SILICONE	694
RC-FE21	EPDM	135
RC-FE25	EPDM	349
RC-FE26	EPDM	344
RC-FE27	EPDM	348
RC-FE28	EPDM	349
FC-FE29	EPDM	405
FC-FE30	EPDM	135
RC-FE42	EPDM	135
RC-FE43	EPDM	135
RC-FE44	EPDM	348
RC-FX31	SILICONE	407
RC-FX41	SILICONE	623
RC-FX45	SILICONE	653
RC-FX54	SILICONE	654
RC-FX55	SILICONE	621
RC-FX58	SILICONE	673
RC-FX61	SILICONE	667
RC-GMX082	SILICONE	714
RC-HE31	EPDM	230
RC-HE33	EPDM	230
RC-HE36	EPDM	215
RC-HE37	EPDM	258
RC-HE38	EPDM	273
RC-HE39	EPDM	363
RC-HE40	EPDM	352
RC-HE48	EPDM	361

NGK PART #	NGK WIRE QUALITY	STI SILICONE PART #
RC-HE49	EPDM	362
RC-HE51	EPDM	352
RC-HE53	EPDM	370
RC-HE54	EPDM	365
RC-HE56	EPDM	384
RC-HE57	EPDM	384
RC-HE62	EPDM	384
RC-HE64	EPDM	370
RC-HE65	EPDM	626
RC-HE66	EPDM	426
RC-HE71	EPDM	370
RC-HE73	EPDM	473
RC-HE75	EPDM	619
RC-HE76	EPDM	473
RC-HE77	EPDM	384
RC-HE80	EPDM	384
RC-HE82	EPDM	384 NC
RC-HE84	EPDM	426
RC-HE85	EPDM	337
RC-HE86	EPDM	665
RC-HX55	SILICONE	364
RC-IE41	EPDM	199
RC-IE42	EPDM	199
RC-IE44	EPDM	372
RC-IE45	EPDM	462
RC-IE46	EPDM	298
RC-IE48	EPDM	620
RC-IE49	EPDM	614
RC-IE54	EPDM	463
RC-IE55	EPDM	462
RC-IE56	EPDM	617
RC-IX43	SILICONE	299
RC-IX47	SILICONE	412
RC-IX53	SILICONE	637
RC-IX59	SILICONE	699
RC-IX60	SILICONE	717
RC-KRX003	SILICONE	645
RC-KRX004	SILICONE	715
RC-KRX006	SILICONE	724
RC-KRX007	SILICONE	684
RC-KRX009	SILICONE	758

FOR REFERENCE ONLY!

REFER TO OUR MODEL LISTINGS FOR THE CORRECT APPLICATION

NGK TO STI

NGK PART #	NGK WIRE QUALITY	STI <i>SILICONE</i> PART #
RC-KRX011	SILICONE	722
RC-KRX013	SILICONE	784
RC-ME51	EPDM	185
RC-ME51	EPDM	227
RC-ME54	EPDM	187
RC-ME55	EPDM	314
RC-ME58	EPDM	314
RC-ME59	EPDM	227
RC-ME60	EPDM	314
RC-ME61	EPDM	414
RC-ME62	EPDM	310
RC-ME64	EPDM	425
RC-ME67	EPDM	314
RC-ME74	EPDM	299
RC-ME75	EPDM	422
RC-ME76	EPDM	310
RC-ME76	EPDM	602
RC-ME77	EPDM	425
RC-ME78	EPDM	474
RC-ME79	EPDM	492
RC-ME80	EPDM	492
RC-ME83	EPDM	624
RC-ME92	EPDM	330
RC-ME93	EPDM	689
RC-ME94	EPDM	680
RC-ME95	EPDM	679
RC-ME96	EPDM	718
RC-ME97	EPDM	648
RC-MX100	SILICONE	657
RC-MX101	SILICONE	686
RC-MX104	SILICONE	681
RC-MX106	SILICONE	799
RC-NE61	EPDM	118
RC-NE66	EPDM	210
RC-NE67	EPDM	210
RC-NE08	EPDM	420
RC-NE61	EPDM	118
RC-NE66	EPDM	210
RC-NE77A	EPDM	284
RC-NE92	EPDM	343
RC-NX04	SILICONE	493
RC-NX05	SILICONE	456

NGK PART #	NGK WIRE QUALITY	STI <i>SILICONE</i> PART #
RC-NX07	SILICONE	421
RC-NX11	SILICONE	421
RC-NX13	SILICONE	418
RC-NX13	SILICONE	662
RC-NX14	SILICONE	743
RC-NX14	SILICONE	671
RC-NX15	SILICONE	662
RC-NX17	SILICONE	662
RC-NX70	SILICONE	217
RC-NX70	SILICONE	279
RC-NX71	SILICONE	260
RC-NX72A	SILICONE	236
RC-NX76	SILICONE	279
RC-NX85	SILICONE	309
RC-NX86	SILICONE	404
RC-NX87	SILICONE	297
RC-NX88	SILICONE	409
RC-NX89	SILICONE	377
RC-NX91	SILICONE	424
RC-NX93	SILICONE	409
RC-NX95	SILICONE	420
RC-NX95	SILICONE	421
RC-NX96	SILICONE	418
RC-NX97	SILICONE	423
RC-NX101	SILICONE	744
RC-NX104	SILICONE	775
RC-SE02	EPDM	639
RC-SE17	EPDM	677
RC-SE25	EPDM	677
RC-SE76	EPDM	406
RC-SE82	EPDM	611
RC-SE83	EPDM	406
RC-SE93	EPDM	185
RC-SE94	EPDM	610
RC-TE16	EPDM	394Y
RC-TE21	EPDM	397Y
RC-TE22	EPDM	396Y
RC-TE41	EPDM	485
RC-TE42	EPDM	440
RC-TE43	EPDM	802
RC-TE44	EPDM	802

FOR REFERENCE ONLY!

REFER TO OUR MODEL LISTINGS FOR THE CORRECT APPLICATION

NGK TO STI

NGK PART #	NGK WIRE QUALITY	STI <i>SILICONE</i> PART #
RC-TE58	EPDM	634
RC-TE62	EPDM	802
RC-TE63	EPDM	659
RC-TE64	EPDM	678
RC-TE65	EPDM	652 OE
RC-TE65	EPDM	652
RC-TE66	EPDM	644 OE
RC-TE66	EPDM	644
RC-TE68	EPDM	490
RC-TE70	EPDM	805
RC-TE73	EPDM	805
RC-TE86	EPDM	133
RC-TE79	EPDM	725
RC-TE120	EPDM	489
RC-TX02	SILICONE	292
RC-TX03	SILICONE	291
RC-TX04	SILICONE	274
RC-TX05	SILICONE	275
RC-TX06	SILICONE	419
RC-TX-07	SILICONE	388
RC-TX08	SILICONE	444
RC-TX09	SILICONE	292
RC-TX10	SILICONE	388
RC-TX11	SILICONE	402
RC-TX12	SILICONE	402
RC-TX12	SILICONE	804
RC-TX13	SILICONE	443
RC-TX14	SILICONE	477
RC-TX15	SILICONE	477
RC-TX15	SILICONE	803
RC-TX19	SILICONE	401
RC-TX23	SILICONE	395Y
RC-TX35	SILICONE	292
RC-TX36	SILICONE	449
RC-TX39	SILICONE	436
RC-TX50	SILICONE	804
RC-TX59	SILICONE	488
RC-TX67	SILICONE	658
RC-TX69	SILICONE	803
RC-TX71	SILICONE	438
RC-TX72	SILICONE	628

NGK PART #	NGK WIRE QUALITY	STI <i>SILICONE</i> PART #
RC-TX89	SILICONE	229
RC-TX97	SILICONE	253
RC-TX99A	SILICONE	351
RC-TX105	SILICONE	726
RC-TX118	SILICONE	486
RC-TZ37	SILICONE	351
RC-TZ38	SILICONE	207
RC-XE45	EPDM	221
RC-XE45	EPDM	495
RC-XE77	EPDM	601
RC-XX73	SILICONE	601
RC-XX89	SILICONE	601
RC-XX89	SILICONE	646
RC-XX90	SILICONE	647
RC-XX91	SILICONE	700
RC-XX92	SILICONE	728
RC-ZE02	EPDM	339
RC-ZE06	EPDM	340
RC-ZE07	EPDM	460
RC-ZE17	EPDM	382
RC-ZE21	EPDM	379
RC-ZE25	EPDM	465
RC-ZE26	EPDM	450
RC-ZE28	EPDM	466
RC-ZE30	EPDM	451
RC-ZE32B	EPDM	608
RC-ZE35	EPDM	609
RC-ZE36	EPDM	460
RC-ZE37	EPDM	650
RC-ZE48	EPDM	638
RC-ZE50	EPDM	669
RC-ZE53	EPDM	729
RC-ZE76	EPDM	788
RC-ZE80	EPDM	798
RC-ZE81	EPDM	792
RC-ZE94A	EPDM	315
RC-ZE97A	EPDM	181
RC-ZE98	EPDM	306
RC-ZX12	SILICONE	380
RC-ZX18	SILICONE	378
RC-ZX19	SILICONE	376

FOR REFERENCE ONLY!

REFER TO OUR MODEL LISTINGS FOR THE CORRECT APPLICATION

NGK TO STI

NGK PART #	NGK WIRE QUALITY	STI SILICONE PART #
RC-ZX22	SILICONE	374
RC-ZX29	SILICONE	461
RC-ZX40	SILICONE	461
RC-ZX41	SILICONE	461
RC-ZX46	SILICONE	640
RC-ZX47	SILICONE	636
RC-ZX49	SILICONE	651
RC-ZX52	SILICONE	690
RC-ZX99A	SILICONE	315
RC-ZX99A	SILICONE	334

NGK PART #	NGK WIRE QUALITY	STI SILICONE PART #

Compare Our Wire Quality with NGK

Not only are all STI wire sets equipped with silicone wire, but every set comes with a double layer of silicone for the ultimate protection & performance.

FOR REFERENCE ONLY!

REFER TO OUR MODEL LISTINGS FOR THE CORRECT APPLICATION

TOYOTA TO STI

TOYOTA PART #	STI PART #
19037-20011	652 OE / 652
19037-20020	652 OE / 652
19037-62010	644 OE / 644
19037-75010	628
19101-11022	395Y
19101-11030	395Y
19101-11050	398Y
19101-16120	396Y
19101-16140	397Y
19101-74030	394Y
90080-19015	5005
90080-19027	5051
90919-02205	5003
90919-02212	5015
90919-02213	5020
90919-02230	5051
90919-02234	5057
90919-02239	5005
90919-02240	5016
90919-A2002	5052
90919-15428	659
90919-15429	659
90919-21400	436
90919-21413	449
90919-21463	439
90919-21464	446
90919-21471	805
90919-21473	477
90919-21485	477
90919-21486	805
90919-21489	438
90919-21519	440

TOYOTA PART #	STI PART #
90919-21521	489
90919-21524	803
90919-21528	804
90919-21536	803
90919-21538	443
90919-21553	488
90919-21556	804
90919-21557	490
90919-21563	489
90919-21576	802
90919-21582	802
90919-21598	802
90919-21597	726
90919-21607	440
90919-21609	802
90919-22176	444
90919-22243	444
90919-22302	802
90919-22319	802
90919-22325	442
90919-22327	485
90919-22329	486
90919-22369	802
90919-22370	802
90919-22386	634
90919-22387	658
90919-22393	678
90919-22400	634

FOR REFERENCE ONLY!
REFER TO OUR MODEL LISTINGS FOR THE CORRECT APPLICATION

VOLVO TO STI

VOLVO PART #	STI PART #
270 478	244
270 479	223
270 525	410
270 552	262
270 561	262
270 570	115
270 880	331
270 896	277
270 897	331
271 483	331
271 484	328
271 796	328
1275174	5025

VOLVO PART #	STI PART #
1275603	697
1335874-2	454
9135546	454
9135700-4	454
9135701	454
9146403-2	454
9445258	454

FOR REFERENCE ONLY!
REFER TO OUR MODEL LISTINGS FOR THE CORRECT APPLICATION

Please see our web site for a complete application guide with pictures.

BREMI Auto-Elektrik

Original Equipment Quality for all your European Ignition needs.

Karlyn Industries is the only authorized representative of Bremi Ignition Parts in the United States. Bremi Fahrzeug-Elektrik is an original equipment manufacturer of Ignition parts for Audi, BMW and Volkswagen. Bremi manufactures all of it's Ignition parts under those same O.E. standards.

Distributor Caps, Rotors, Points, Direct Ignition, plus Spark Plug, Distributor and Coil Connectors are immediately available for our distributors from our warehouse in Tuxedo, N.Y.



DISTRIBUTOR CAPS

BOSCH (Short #)	STI #
03-005	22-8043
03-008	22-8048
03-010	22-8045
03-012	22-8016
03-013	22-8043
03-014	22-8017P
03-015	22-8055
03-017	22-8054
03-035	22-8058
03-047	22-8055
03-120	22-6012R
03-121	22-8060
03-131	22-8057
03-142	22-6024R
03-173	22-8071
03-174	22-6012R
03-176	22-8062
03-182	22-6008
03-195	22-8069R
03-201	22-8067
03-202	22-8071
03-203	22-8063
03-211	22-8073
03-212	22-8059
03-213	22-8074R
03-214	22-8059R
03-215	22-8074R
03-225	22-6007
03-227	22-6006
03-228	22-8069R1 without Protective Screen
03-228	22-6019R with Protective Screen
03-239	22-8073R
03-240	22-6005
03-241	22-6022R
03-272	22-8702
03-360	22-6027
03-362	22-6023R
03-364	22-6026R
03-365	22-6025R
03-366	22-6017R

BOSCH (Long #)	STI #
1-235-522-050	22-8043
1-235-522-053	22-8048
1-235-522-056	22-8045
1-235-522-058	22-8016
1-235-522-059	22-8043
1-235-522-060	22-8017P
1-235-522-061	22-8055
1-235-522-074	22-8054
1-235-522-210	22-8058
1-235-522-293	22-8055
0-290-004-500	22-6012R
0-290-004-501	22-8060
1-235-522-218	22-8057
0-290-004-502	22-6024R
1-235-522-329	22-8071
0-290-004-505	22-6012R
1-235-522-320	22-8062
1-235-522-325	22-6008
1-235-522-365	22-8069R
1-235-522-327	22-8067
1-235-522-368	22-8071
1-235-522-222	22-8063
1-235-522-385	22-8073
1-235-522-370	22-8059
1-235-522-395	22-8074R
1-235-522-375	22-8059R
1-235-522-382	22-8074R
1-235-522-380	22-6007
1-235-522-392	22-6006
1-235-522-388	22-8069R1 without Protective Screen
1-235-522-388	22-6019R with Protective Screen
1-235-522-405	22-8073R
1-235-522-384	22-6005
1-235-522-406	22-6022R
1-235-522-803	22-8702
1-235-522-443	22-6027
1-235-522-413	22-6023R
1-235-522-420	22-6026R
1-235-522-446	22-6025R
1-235-522-427	22-6017R

Bosch's Part #'s are quoted for REFERENCE PURPOSES ONLY!

Please state STI PART #'S when ordering.



DISTRIBUTOR CAPS - con't

BOSCH (Short #)	STI #
03-367	22-6018R
03-368	22-6027R
03-369	22-6002R
03-371	22-6020
03-396	22-6028R
03-398	22-8070

BOSCH (Long #)	STI #
1-235-522-430	22-6018R
1-235-522-444	22-6027R
1-235-522-449	22-6002R
1-235-522-408	22-6020
1-235-522-457	22-6028R
1-235-522-332	22-8070

ROTORS

BOSCH (Short #)	STI #
04-004	23-9032
04-006	23-9038
04-008	23-9044
04-012	23-9045
04-017	23-9047
04-018	23-9048
04-023	23-9071
04-026	23-9061
04-027	23-9057
04-029	23-7012
04-030	23-9055
04-033	23-9050
04-037	23-7013
04-038	23-9082
04-137	23-9083
04-138	23-9082
04-139	23-9082
04-141	23-9049
04-142	23-9072
04-143	23-9090
04-144	23-9073
04-155	23-7035
04-156	23-7004
04-163	23-7005
04-167	23-7036
04-168	23-7006
04-169	23-7002
04-170	23-7011
04-176	23-7001
04-177	23-7008

BOSCH (Short #)	STI #
1-234-332-074	23-9032
1-234-332-082	23-9038
1-234-332-088	23-9044
1-234-332-107	23-9045
1-234-332-173	23-9047
1-234-332-177	23-9048
1-234-332-198	23-9071
1-234-332-203	23-9061
1-234-332-204	23-9057
1-234-332-206	23-7012
1-234-332-207	23-9055
1-234-332-215	23-9050
1-234-332-223	23-7013
1-234-332-300	23-9082
1-234-332-279	23-9083
1-234-332-309	23-9082
1-234-332-301	23-9082
1-234-332-280	23-9049
1-234-332-289	23-9072
1-234-332-337	23-9090
1-234-332-273	23-9073
1-234-332-333	23-7035
1-234-332-347	23-7004
1-234-332-346	23-7005
1-234-332-386	23-7036
1-234-332-370	23-7006
1-234-332-349	23-7002
1-234-332-350	23-7011
1-234-332-366	23-7001
1-234-332-382	23-7008

Bosch's Part #'s are quoted for REFERENCE PURPOSES ONLY!
Please state STI PART #'S when ordering.

ROTORS - con't

BOSCH (Short #)	STI #
04-185	23-7031
04-187	23-7030
04-213	23-9702
04-214	23-7038 with Shaft
04-216	23-7037
04-217	23-7023
04-223	23-7039
04-230	23-7001
04-271	23-7027
04-272	23-7028
04-275	23-7041
04-276	23-7042
04-297	23-7026

BOSCH (Long #)	STI #
1-234-332-389	23-7031
1-234-332-391	23-7030
1-234-332-213	23-9702
1-234-332-403	23-7038 with Shaft
1-234-332-200	23-7037
1-234-332-417	23-7023
1-234-332-421	23-7039
1-234-332-393	23-7001
1-234-332-422	23-7027
1-234-332-390	23-7028
1-234-332-426	23-7041
1-234-332-424	23-7042
1-234-332-427	23-7026

POINTS

BOSCH (Short #)	STI #
01-001	24-1003
01-003	24-1009B
01-007	24-1019B
01-011	24-1066
01-012	24-1069
01-016	24-1003
01-026	24-2027
01-027	24-1069
01-028	24-1066
01-038	24-2010
01-044	24-2017F
01-052	24-2017F
01-054	24-2010

BOSCH (Long #)	STI #
1-237-013-000	24-1003
1-237-013-007	24-1009B
1-237-013-027	24-1019B
1-237-013-044	24-1066
1-237-013-052	24-1069
1-237-013-060	24-1003
1-237-013-081	24-2027
1-237-013-082	24-1069
1-237-013-083	24-1066
1-237-013-108	24-2010
1-237-013-119	24-2017F
1-237-013-130	24-2017F
1-237-013-139	24-2010

Bosch's Part #'s are quoted for REFERENCE PURPOSES ONLY!
Please state STI PART #'S when ordering.

BMW TO STI

DISTRIBUTOR CAPS

BMW #	STI #
12 11 1 285 058	22-8069R
12 11 1 725 070	22-8069R
12 11 1 266 673	22-8056
12 11 1 270 902	22-8062
12 11 1 271 656	22-8016
12 11 1 271 657	22-8048
12 11 1 630 146	22-8043
12 11 1 277 193	22-8062
12 11 1 288 165	22-8062
12 11 1 309 797	22-6022R
12 11 1 312 160	22-6022R
12 11 1 351 446	22-8017P
12 11 1 353 117	22-8017P
12 11 1 354 449	22-8045
12 11 1 354 501	22-8017P
12 11 1 354 999	22-8016
12 11 1 355 626	22-8048
12 11 1 359 706	22-8048
12 11 1 359 847	22-8045
12 11 1 359 874	22-8045
12 11 1 363 191	22-8045
12 11 1 363 291	22-8045
12 11 1 363 292	22-8048
12 11 1 363 422	22-8048
12 11 1 363 423	22-8045
12 11 1 363 706	22-8048
12 11 1 630 146	22-8043
12 11 1 706 122	22-8059
12 11 1 720 124	22-8069R
12 11 1 722 649	22-8069R
12 11 1 730 055	22-8043
12 11 8 630 146	22-8016
12 11 8 730 055	22-8016

ROTORS

BMW #	STI #
12 11 1 267 464	23-9047
12 11 1 269 642	23-9072
12 11 1 272 144	23-9082
12 11 1 277 195	23-9072
12 11 1 284 446	23-7004
12 11 1 286 072	23-9072
12 11 1 286 111	23-9095
12 11 1 309 798	23-7030
12 11 1 351 447	23-9032
12 11 1 353 602	23-9071
12 11 1 354 502	23-9032
12 11 1 354 503	23-9032
12 11 1 354 504	23-9032
12 11 1 355 211	23-9049
12 11 1 357 720	23-9048
12 11 1 360 305	23-9049
12 11 1 360 306	23-9047
12 11 1 362 221	23-9049
12 11 1 363 334	23-9048
12 11 1 630 144	23-9032
12 11 1 734 110	23-7004
12 11 1 707 263	23-9083

POINTS

BMW #	STI #
12 11 1 267 392	24-2010
12 11 1 267 393	24-2017F
12 11 1 267 394	24-1069
12 11 1 271 687	24-2022
12 11 1 355 624	24-2010
12 11 1 356 919	24-1069
12 11 1 359 307	24-1069
12 11 1 359 705	24-2022
12 11 1 359 760	24-2017F
12 11 1 359 873	24-1066
12 11 1 361 760	24-2017F
12 11 8 630 235	24-1009B
12 11 8 730 024	24-1066

O.E. Part #'s are quoted for REFERENCE PURPOSES ONLY!

Please state STI PART #'S when ordering.

MERCEDES-BENZ TO STI

DISTRIBUTOR CAPS

MB #	STI #
000 150 19 02	22-8055
000 150 26 02	22-8055
000 158 06 02	22-8016
000 158 07 02	22-8017P
000 158 15 02	22-8055
000 158 16 02	22-8017P
000 158 18 02	22-8043
000 158 19 02	22-8055
000 158 20 02	22-8048
000 158 21 02	22-8048
000 158 22 02	22-8048
000 158 23 02	22-8055
000 158 24 02	22-8043
000 158 25 02	22-8017P
000 158 26 02	22-8055
000 158 27 02	22-8054
000 158 28 02	22-8045
000 158 29 02	22-8054
000 158 34 02	22-6012R
000 158 36 02	22-8060
000 158 37 02	22-8063
000 158 41 02	22-8060
000 158 42 02	22-6012R
000 158 43 02	22-8067
000 158 44 02	22-8071
000 158 49 02	22-6007
000 158 50 02	22-8048
000 158 52 02	22-6006
000 158 53 02	22-8017P
103 158 00 02	22-6005
104 158 01 02	22-6017R
119 158 01 02	22-6018R
119 158 03 02	22-6018R
120 158 00 02	22-6028R

ROTORS

MB #	STI #
000 158 19 31	23-9048
000 158 20 31	23-9044
000 158 21 31	23-9046
000 158 22 31	23-9047
000 158 23 31	23-9048
000 158 25 31	23-9061

ROTORS - con't

MB #	STI #
000 158 26 31	23-9057
000 158 27 31	23-9050
000 158 31 31	23-9050
000 158 34 31	23-9082
000 158 35 31	23-7005
000 158 36 31	23-9090
000 158 37 31	23-9057
000 158 39 31	23-7001
000 158 40 31	23-7008
000 158 42 31	23-7001
103 158 02 31	23-7023
103 158 03 31	23-7023
104 158 01 31	23-7026
104 158 02 31	23-7026
119 158 01 31	23-7027
119 158 02 31	23-7027
119 158 03 31	23-7027
120 158 00 31	23-7042

POINTS

MB #	STI #
000 156 71 01	24-1009B
000 158 00 90	24-1066
000 158 06 90	24-1003
000 158 07 90	24-1009B
000 158 08 90	24-1009B
000 158 13 90	24-1009B
000 158 16 90	24-1009B
000 158 18 90	24-1009B
000 158 20 90	24-1019B
000 158 21 90	24-1066
000 158 22 90	24-1069
000 158 23 90	24-1066
000 158 24 90	24-1066
000 158 27 90	24-1069
000 158 28 90	24-1066
000 158 30 90	24-1066
000 158 31 90	24-1069
000 158 35 90	24-2010
000 158 37 90	24-2022
000 158 39 90	24-2022
000 158 40 90	24-1066
000 464 04 17	24-1009B

O.E. Part #'s are quoted for REFERENCE PURPOSES ONLY!

Please state STI PART #'S when ordering.

PORSCHE TO STI

DISTRIBUTOR CAPS

PORSCHE #	STI #
616 602 215 00	22-8016
616 602 215 02	22-8043
901 602 901 00	22-8017P
901 602 963 00	22-8017P
928 602 211 01	22-8074R
930 602 904 00	22-8048
930 602 908 00	22-8048
944 602 251 00	22-6008
944 602 902 00	22-6008
930 602 919 00	22-8071
930 602 919 01	22-6023R
928 602 902 00	22-6024R

ROTORS

PORSCHE #	STI #
616 602 221 05	23-9045
901 602 928 00	23-9032
911 602 928 00	23-9071
911 602 929 00	23-7012
928 602 213 00	23-7036
928 602 213 01	23-7036
928 602 904 03	23-9048
930 602 901 01	23-7013
930 602 902 00	23-9047
930 602 902 01	23-7005
930 602 902 02	23-7037
931 602 906 00	23-9082
944 602 213 00	23-7031
944 602 901 00	23-7035
944 602 906 00	23-7035
944 602 906 01	23-7035

POINTS

PORSCHE #	STI #
1 778 608 202 00	24-1066
616 602 223 00	24-1066
616 602 226 00	24-1019B
616 602 226 02	24-1003
901 602 960 00	24-1069
901 602 960 03	24-1003

VOLKSWAGEN / AUDI TO STI

DISTRIBUTOR CAPS

VW #	STI #
021 905 207	22-6002R
026 905 207	22-8059
027 905 207	22-8059
027 905 207A	22-8059R
030 905 207	22-6027
034 905 207	22-8073
034 905 207B	22-8073R
035 905 207	22-8057
035 905 207A	22-8057
043 905 207	22-8045
051 905 207	22-6027R
055 905 207	22-8059
058 905 207	22-8045
059 905 207A	22-8045
073 905 207	22-8048
073 905 207A	22-8058
077 905 205	22-6025R
077 905 207	22-6026R
113 905 207B	22-8045
113 905 207C	22-8045
113 905 207D	22-8045
113 905 207E	22-8045
113 905 207G	22-8045

ROTORS

VW #	STI #
021 905 225B	23-7039
021 905 255C	23-7041
022 905 225	23-9055
022 905 225A	23-9055
027 905 225	23-9050
035 905 255B	23-9082
035 905 225D	23-7001
035 905 225F	23-7001
036 905 225H	23-9073
043 905 225	23-9050
043 905 225A	23-9050
051 905 225	23-7001
052 905 225C	23-7001
052 905 225C	23-7011
055 905 225	23-9049
055 905 225B	23-9082
073 905 225	23-9047
077 905 225	23-7038
111 905 225F	23-9038
113 905 255E	23-9045
181 905 225	23-9032
181 905 225C	23-9050

POINTS

VW #	STI #
058 998 051A	24-2022
058 998 051B	24-2010
059 998 015	24-1066
059 998 051	24-1066
311 998 063	24-1066

VOLVO TO STI

DISTRIBUTOR CAPS

VOLVO #	STI #
1269920	22-8069R1
1269920-3	22-8069R1
126992-0	22-8062
1306210	22-8702
1306210-4	22-8702
1346788-1	22-8074R
214669-1	22-8017P
233260	22-8016
233260-9	22-8016
233848	22-8055
233848-1	22-8055
239598	22-8016
241653	22-8016
241653-5	22-8043
241655	22-8016
241669	22-8017P
243632	22-8016
243632-7	22-8043
243727	22-8016
243797	22-8045
243797-8	22-8045
243803	22-8048
243803-4	22-8048
243923	22-8058
243923-0	22-8058
546279	22-8045
76978	22-8017P
870690	22-8016
3501944-7	22-6020

ROTORS

VOLVO #	STI #
1269921	23-7004
1269921-1	23-7004
1332125	23-9702
1336240	23-9082
1336240-5	23-9082
1336241	23-9082
1336241-3	23-9082
1346787-3	23-7002
1367783	23-7028
1389425	23-7011
1389425-8	23-7011
233847	23-9048
2339222	23-9048
239241	23-9048
240305-3	23-9032
243657	23-9047
243657-4	23-9047
243658	23-9048
243658-2	23-9048
243796	23-9050
243903	23-9050
243903-2	23-9050
243922	23-9048
243922-2	23-9048
243932	23-9048

POINTS

VOLVO #	STI #
1306169-27	24-2027
240149	24-1003
240149-5	24-1003
241664	24-2027
241664-2	24-2027
245664-2	24-2027

O.E. Part #'s are quoted for REFERENCE PURPOSES ONLY!

Please state STI PART #'S when ordering.